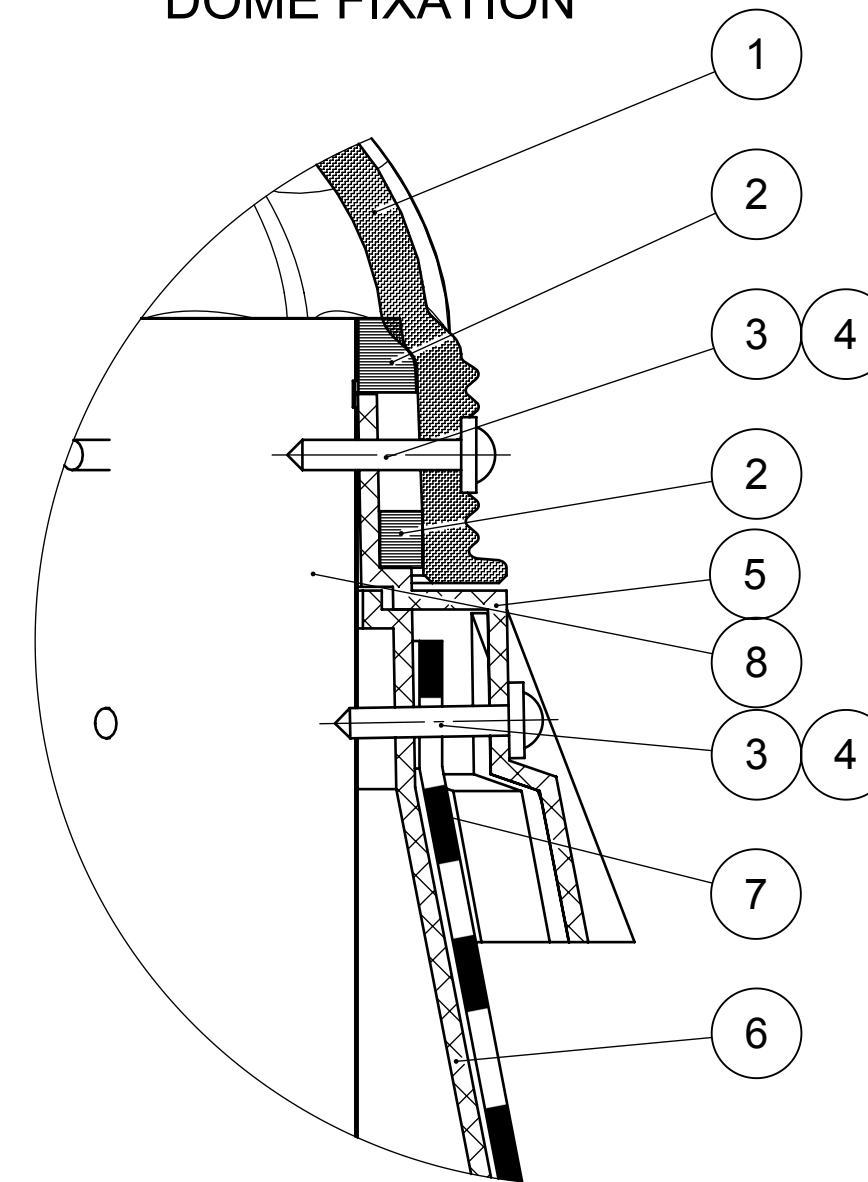
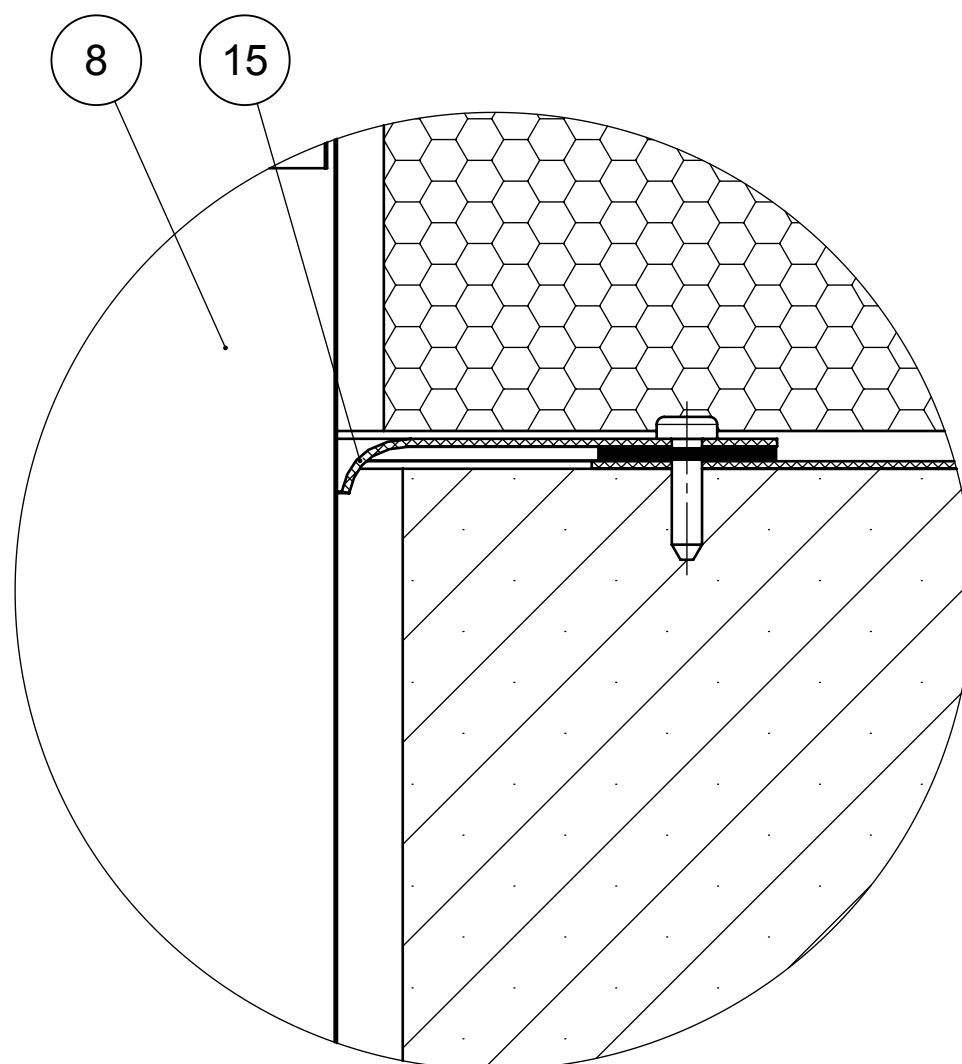


DETAIL A  
DOME FIXATION

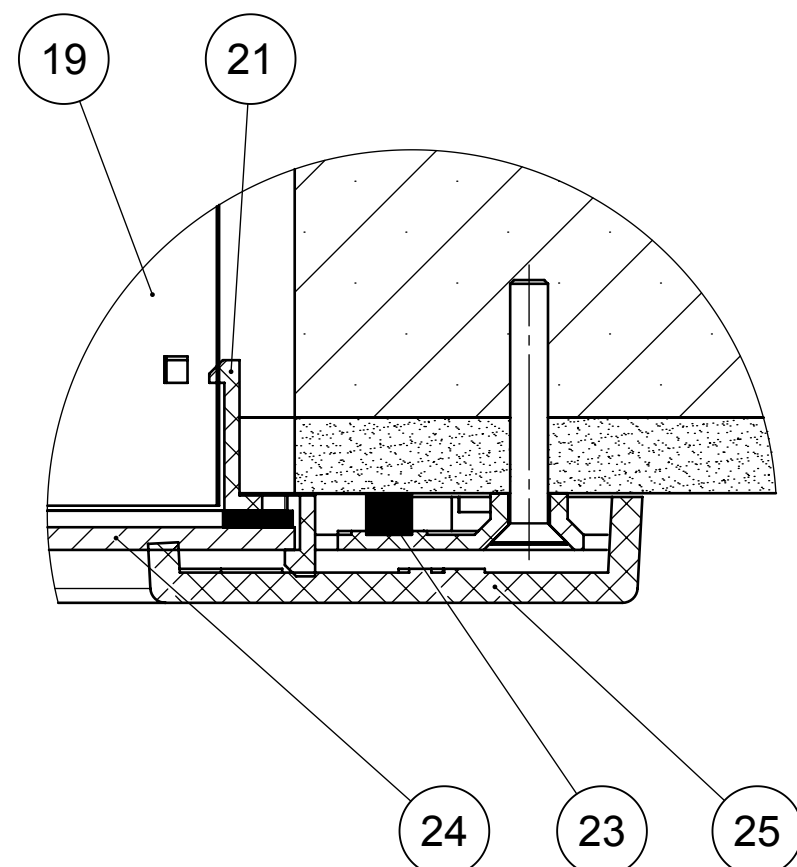


LEGEND:	
POS.	NAME
1	DOME
2	BUSHED NYLON GASKET
3	SCREW
4	ELASTIC WASHER
5	COLLAR
6	FLASHING PLATE FOR FLAT ROOF
7	WATERPROOFING OF FLASHING PLATE
8	TUBE
9	WATERPROOFING OF ROOF
10	SYSTEM FASTENER
11	EXTR. POLYSTYREN
12	ISOLATION ELEMENT BLUE PERFORMANCE
13	INSULATION
14	SYSTEM FASTENER
15	ELASTIC VAPOUR BARRIER LIGHTWAY
16	BITUMEN SEALING
17	VYPOUR BARRIER E.G. JUTA
18	CEILING STRUCTURE
19	TUBE INTO DIFFUSER HOLDER
20	PLASTER
21	DIFFUSER HOLDER
22	SCREW
23	SEALING
24	DIFFUSER
25	FRAME

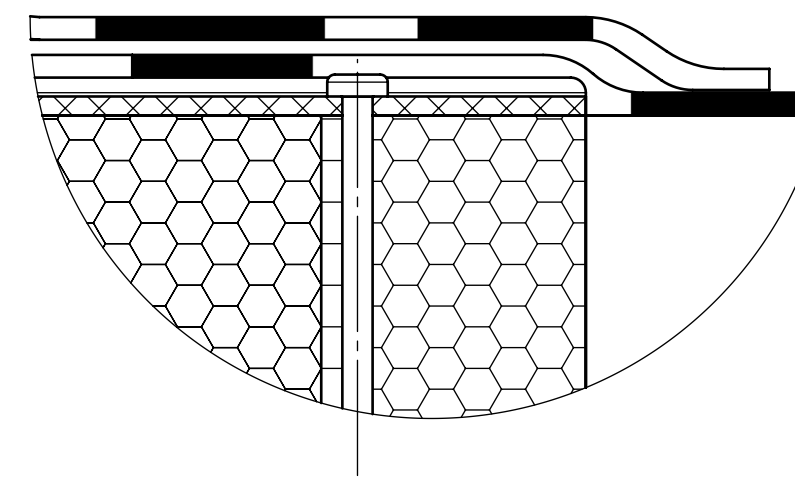
DETAIL C  
CONNECTION OF VAPOUR BARRIER



DETAIL D  
DIFFUSER



DETAIL B  
CONNECTION  
OF WATERPROOFING



MATERIAL LEGEND:

	INSULATION
	PLASTER
	PLASTIC
	CONCRETE
	WOOD
	EXTR. POLYSTYREN

EXAMPLE FITTING OF LIGHTWAY CRYSTAL SYSTEM WITH ISOLATION ELEMENT BLUE PERFORMANCE IN FLAT ROOF WITH ONE ROOF DECK

**lightway**<sup>®</sup>  
crystal tubular skylights

NO:  
CBDPB-0002-EN  
VERSION:  
1/2011