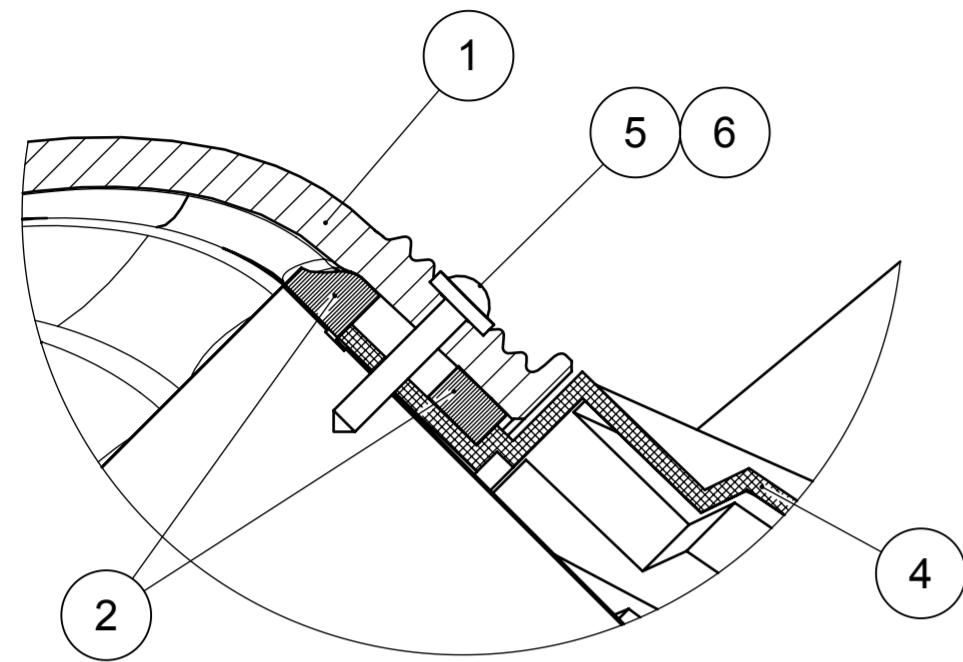
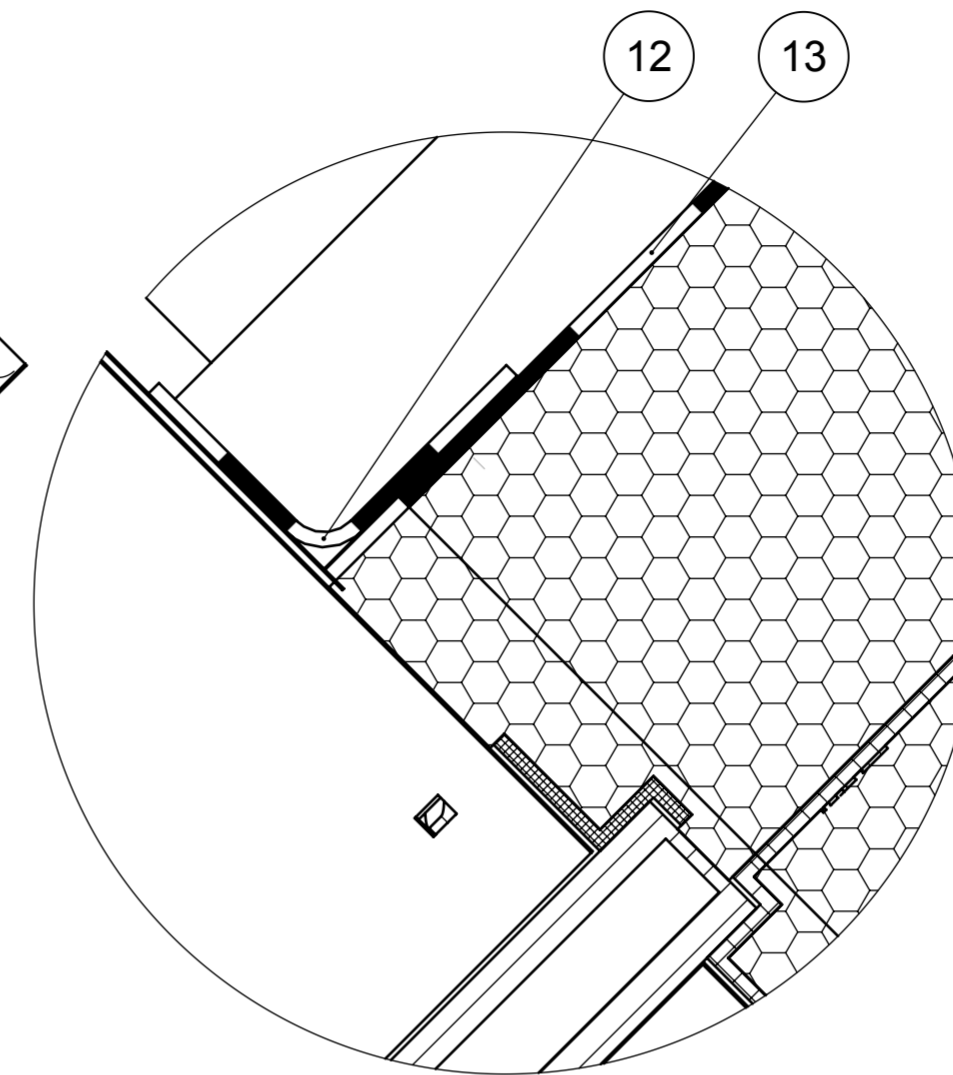


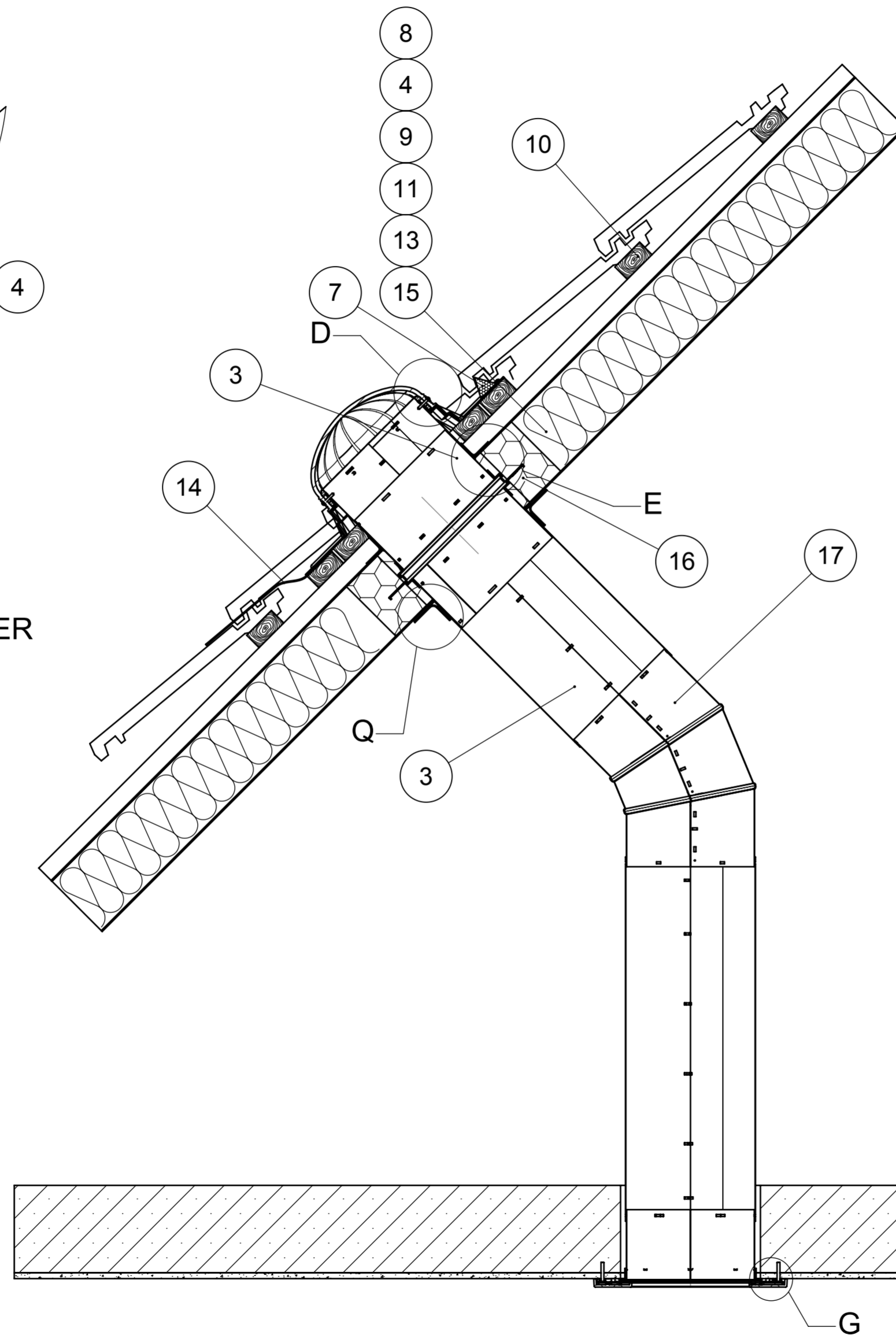
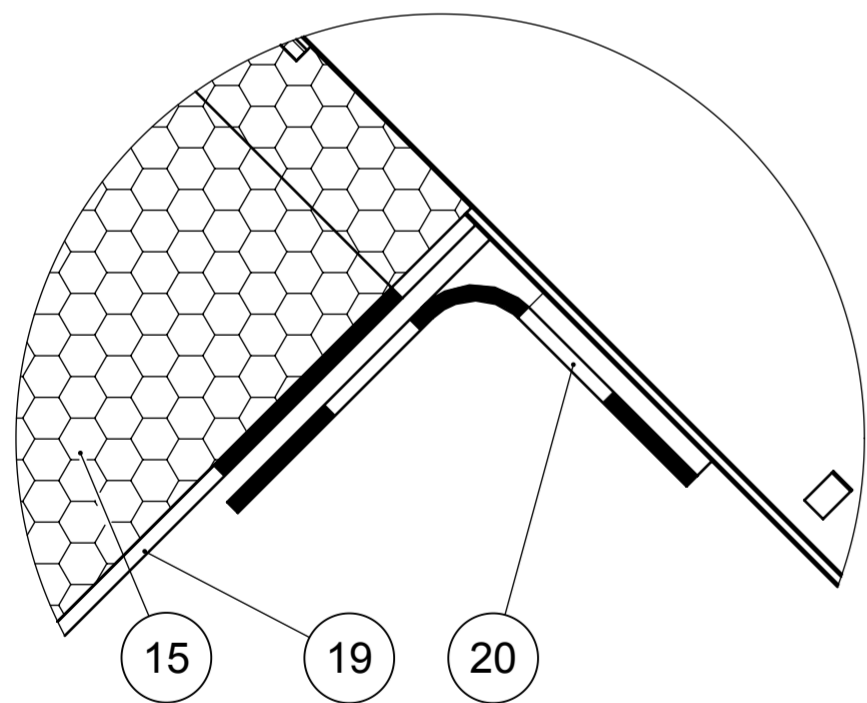
DETAIL D  
DOME FIXATION



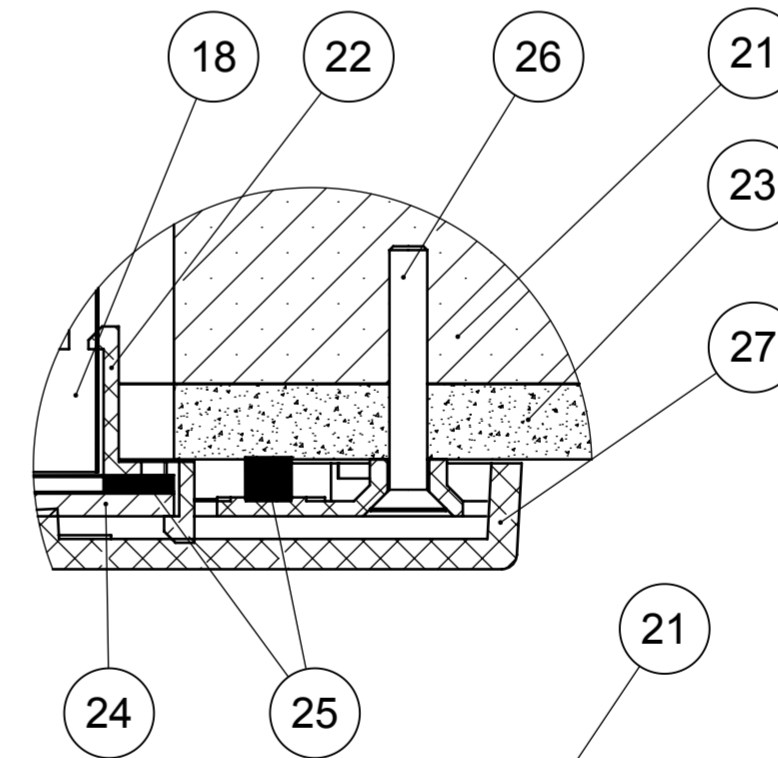
DETAIL E  
FIXING OF SAFETY WATERPROOFING



DETAIL Q  
CONNECTION OF VAPOUR BARRIER

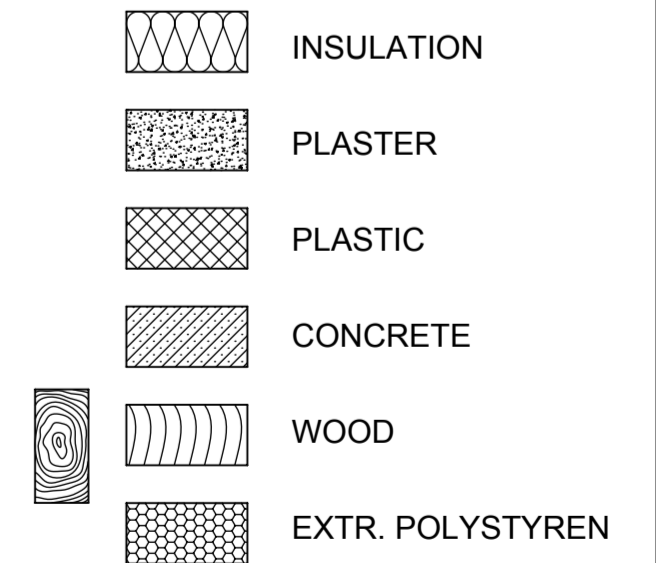


DETAIL G  
DIFFUSER



LEGEND:	
POS.	NAME
1	DOME
2	BUSHED NYLON GASKET
3	TUBE
4	FLASHING PLATE FOR PITCHED ROOF
5	SCREW
6	ELASTIC WASHER
7	CAULKING PROFILE FOR FLASHING PLATE
8	ROOFING
9	SUPPORT BATTEN
10	BATTEN
11	COUNTER BATTEN
12	SYSTEM TAPE E.G. JUTA
13	SAFETY WATERPROOFING E.G. JUTA
14	SEAM FOIL
15	INSULATION
16	ISOLATION ELEMENT BLUE PERFORMANCE
17	ADJUSTABLE ELBOW
18	TUBE INTO DIFFUSER HOLDER
19	VAPOUR BARRIER E.G. JUTA
20	SYSTEM TAPE E.G. JUTA
21	CEILING STRUCTURE
22	DIFFUSER HOLDER
23	PLASTER
24	DIFFUSER
25	SEALING
26	SCREW
27	FRAME

LEGEND OF MATERIALS:



EXAMPLE OF FIXING OF LIGHTWAY CRYSTAL SYSTEM WITH ISOLATION ELEMENT BLUE PERFORMANCE IN PITCHED ROOF WITH INSULATION AND PASSAGE THROUGH LOFT SPACE



ČÍSLO:  
CBDBP-0007-EN  
VERZE:  
1/2011