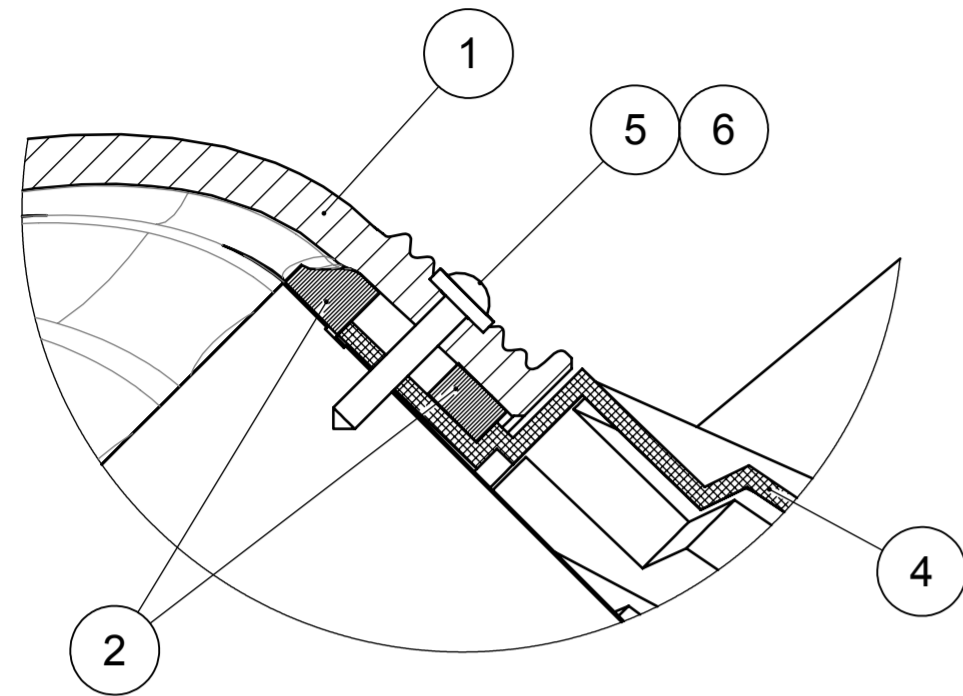
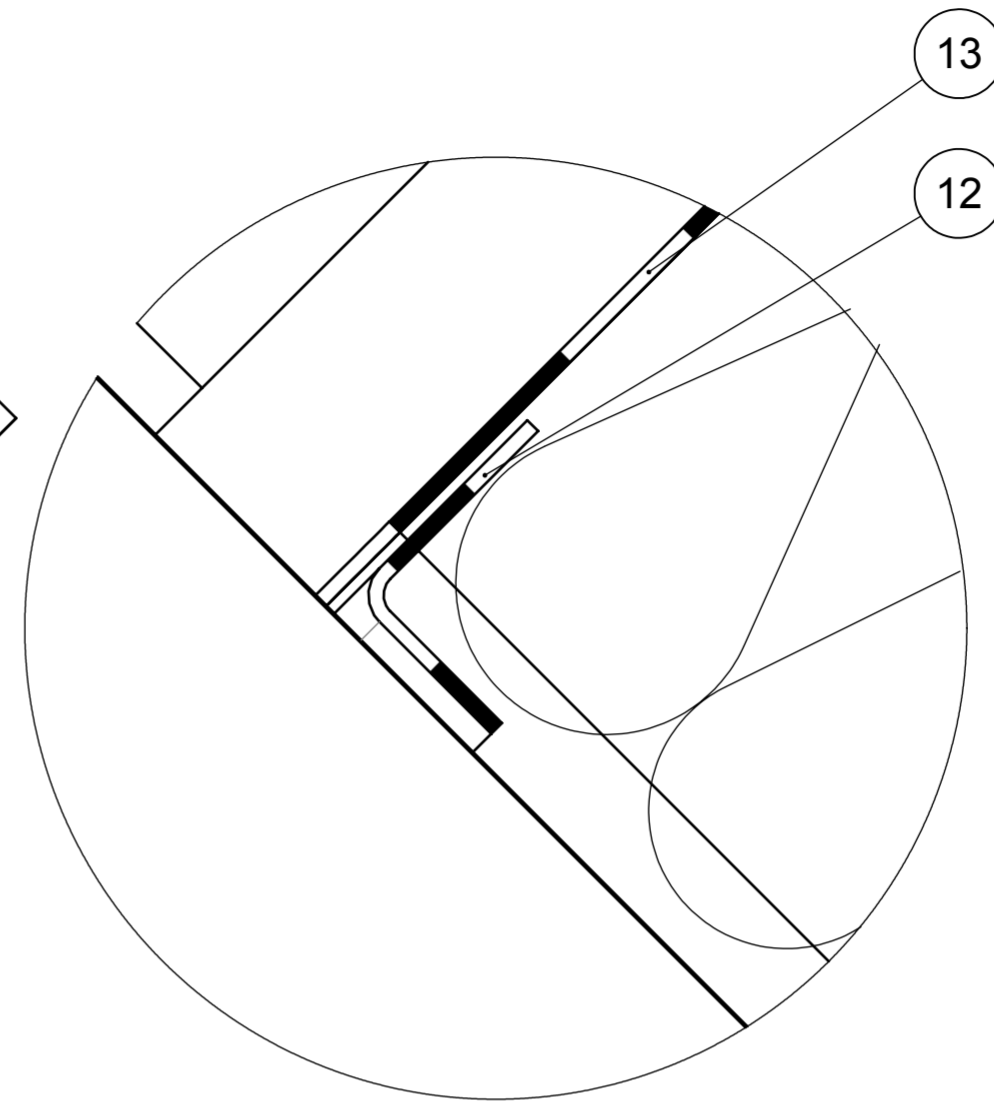


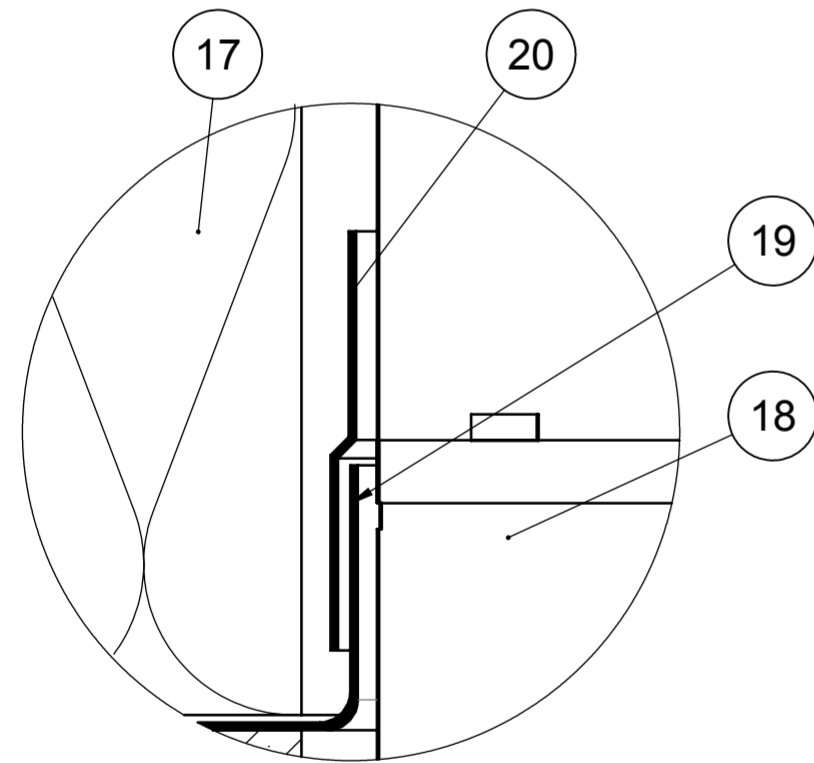
DETAIL D
DOME FIXATION



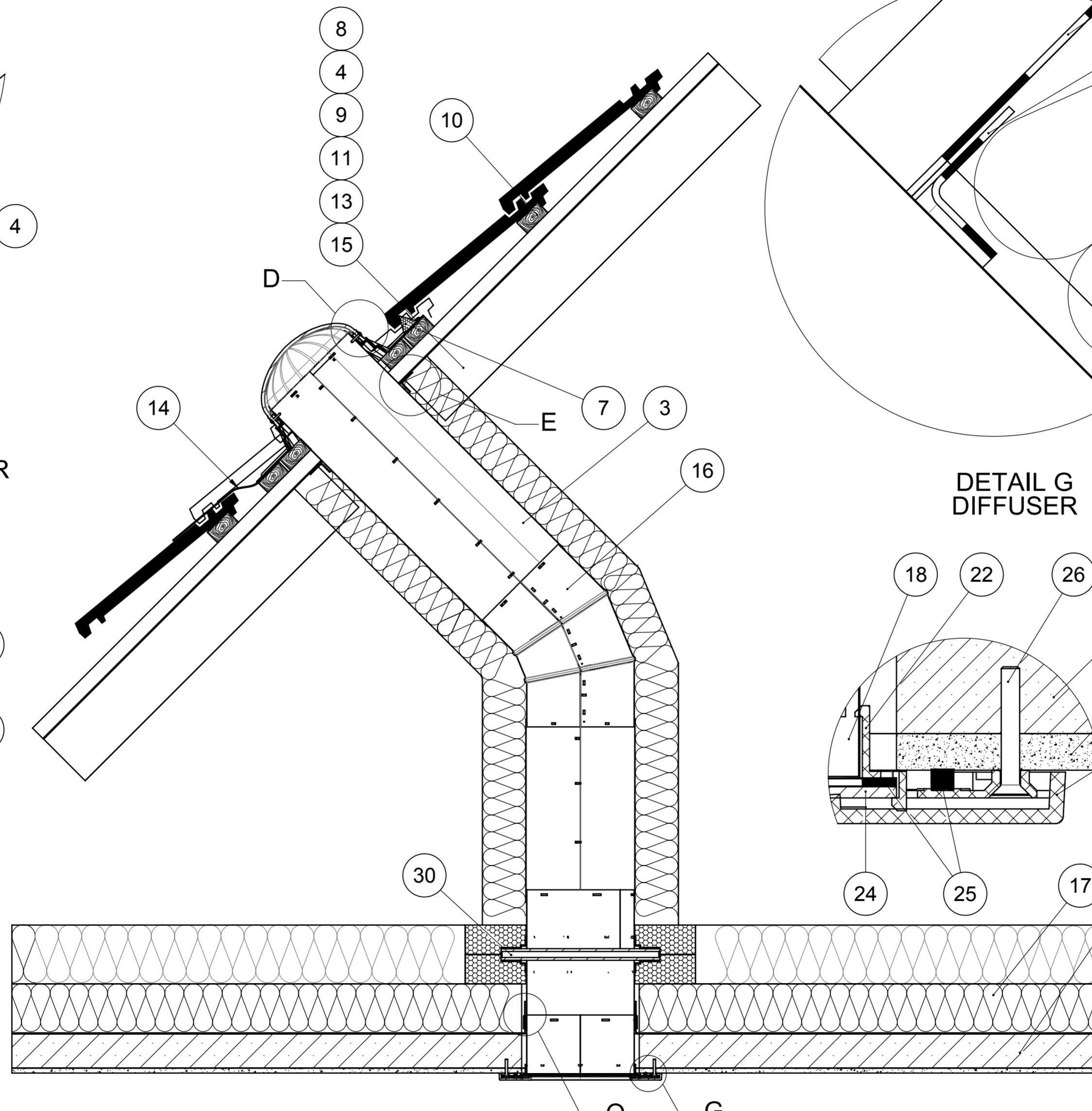
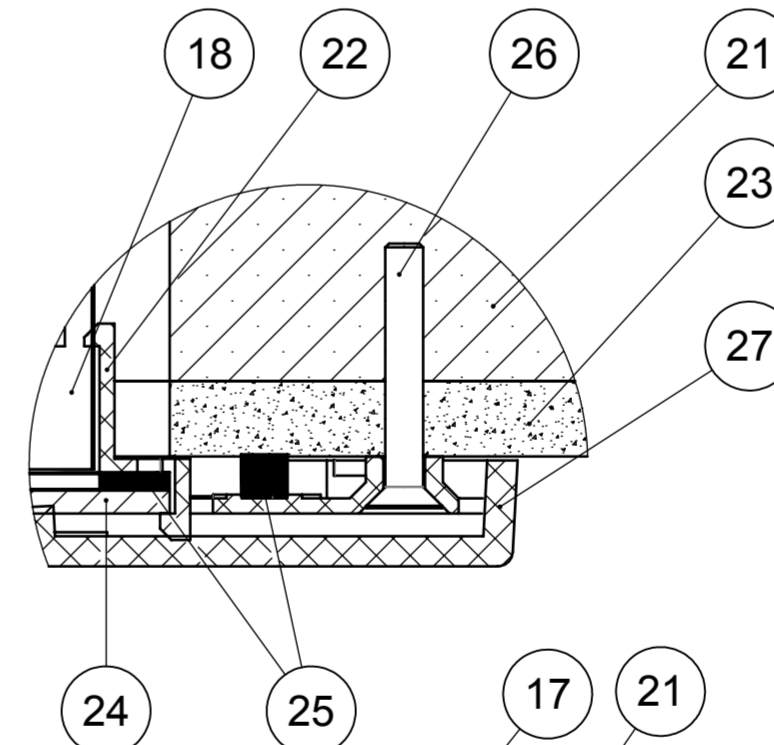
DETAIL E
FIXING OF SAFETY WATERPROOFING



DETAIL Q
CONNECTION OF VAPOUR BARRIER



DETAIL G
DIFFUSER



POS.	NAME
1	DOME
2	BUSHED NYLON GASKET
3	TUBE
4	FLASHING PLATE FOR PITCHED ROOF
5	SCREW
6	ELASTIC WASHER
7	CAULKING PROFILE FOR FLASHING PLATE
8	ROOFING
9	SUPPORT BATTEN
10	BATTEN
11	COUNTER BATTEN
12	SYSTEM TAPE E.G. JUTA
13	SAFETY WATERPROOFING E.G. JUTA
14	SEAM FOIL
15	RAFTER
16	ADJUSTABLE ELBOW
17	INSULATION
18	TUBE INTO DIFFUSER HOLDER
19	VAPOUR BARRIER E.G. JUTA
20	SYSTEM TAPE E.G. JUTA
21	CEILING STRUCTURE
22	DIFFUSER HOLDER
23	PLASTER
24	DIFFUSER
25	SEALING
26	SCREW
27	FRAME
30	ISOLATION ELEMENT BLUE PERFORMANCE

LEGEND OF MATERIALS:

	INSULATION
	PLASTER
	PLASTIC
	CONCRETE
	WOOD
	EXTR. POLYSTYREN

EXAMPLE FITTING OF LIGHTWAY CRYSTAL SYSTEM WITH ISOLATION ELEMENT BLUE PERFORMANCE IN PITCHED ROOF WITHOUT INSULATION



NO:
CBDBP-0008-EN
VERSION:
1/2011