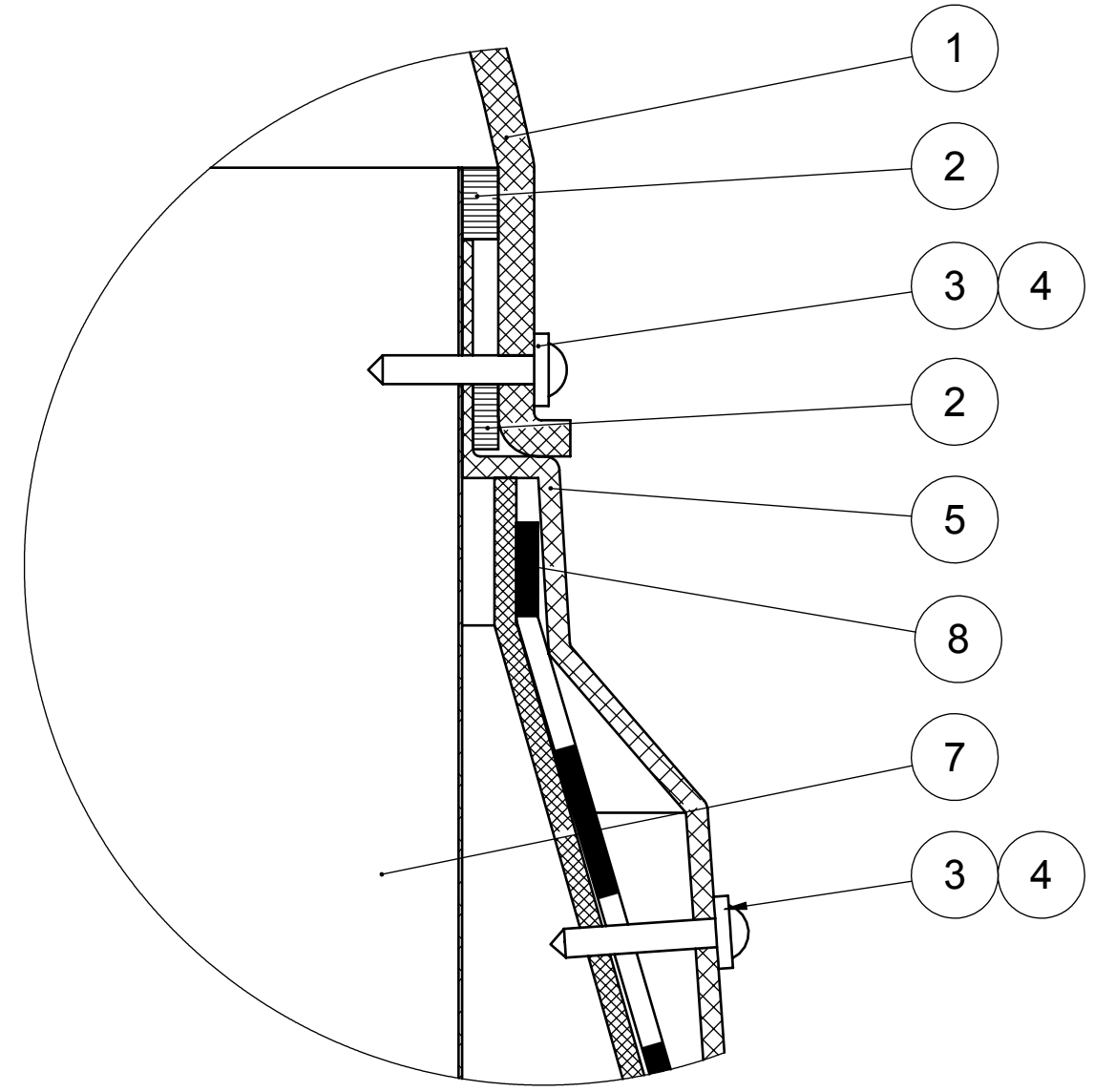
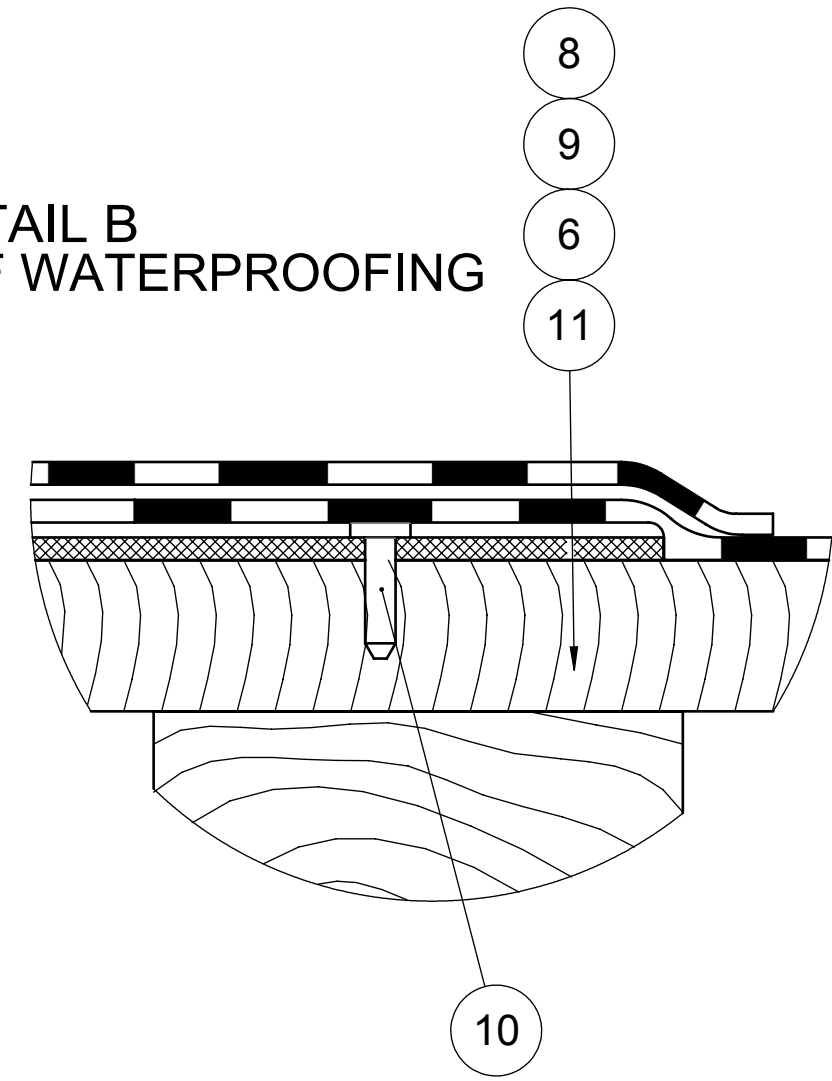


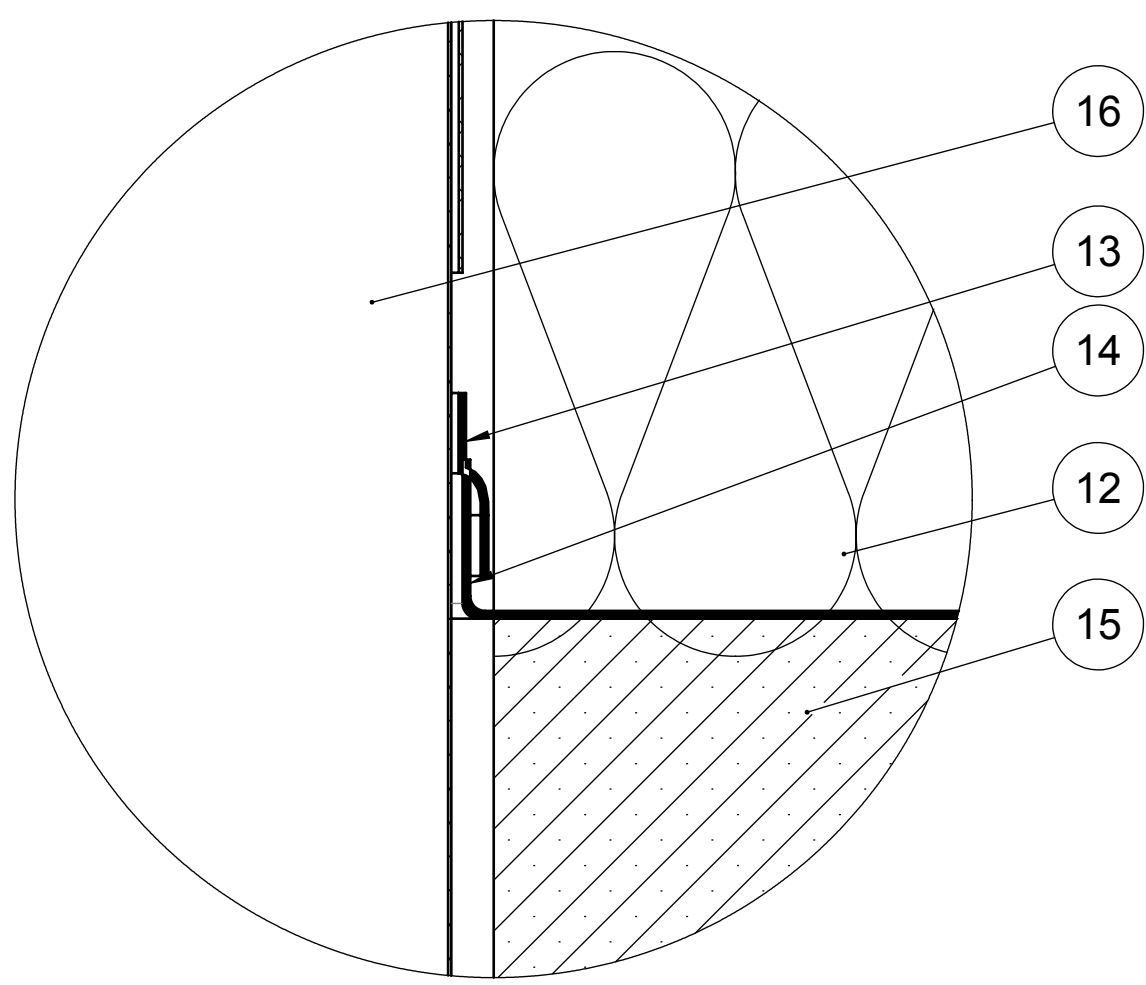
DETAIL A
DOME FIXATION



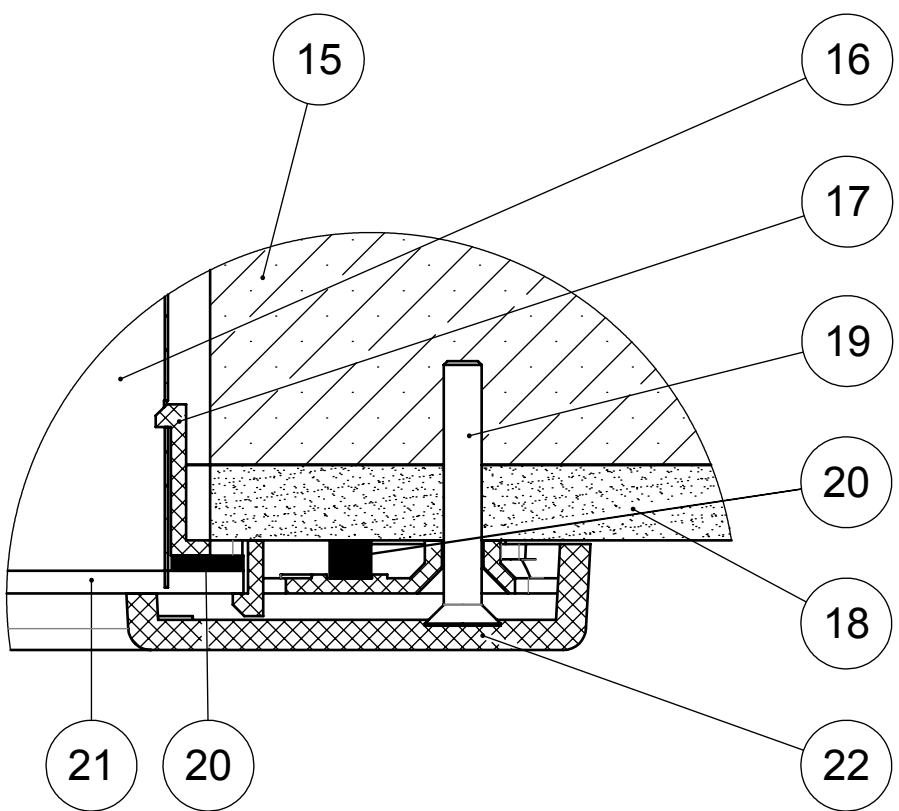
DETAIL B
CONNECTION OF WATERPROOFING



DETAIL C
CONNECTION OF VAPOUR BARRIER



DETAIL D
DIFFUSER



LEGEND:

POS.	NAME
1	DOME
2	BRUSHED NYLON GASKET
3	ELASTIC WASHER
4	SCREW
5	COLLAR
6	FLASHING PLATE FOR FLAT ROOFS
7	TUBE
8	WATERPROOFING OF FLASHING PLATE
9	WATERPROOFING OF ROOF
10	SYSTEM FASTENER
11	CEILING STRUCTURE
12	INSULATION
13	SYSTEMS TAPE E.G. JUTA
14	VAPOUR BARRIER E.G. JUTA
15	CEILING STRUCTURE
16	TUBE INTO HOLDER OF DIFFUSER
17	HOLDER OF DIFFUSER
18	PLASTER
19	SCREW
20	SEALING
21	DIFFUSER
22	FRAME

MATERIAL LEGEND:

	INSULATION
	PLASTER
	PLASTIC
	CONCRETE
	WOOD

EXAMPLE FITTING OF LIGHTWAY SILVER SYSTEM IN FLAT ROOF WITH TWO ROOF DECKS



NO: SBD-0001-EN
VERSION: 2/2011