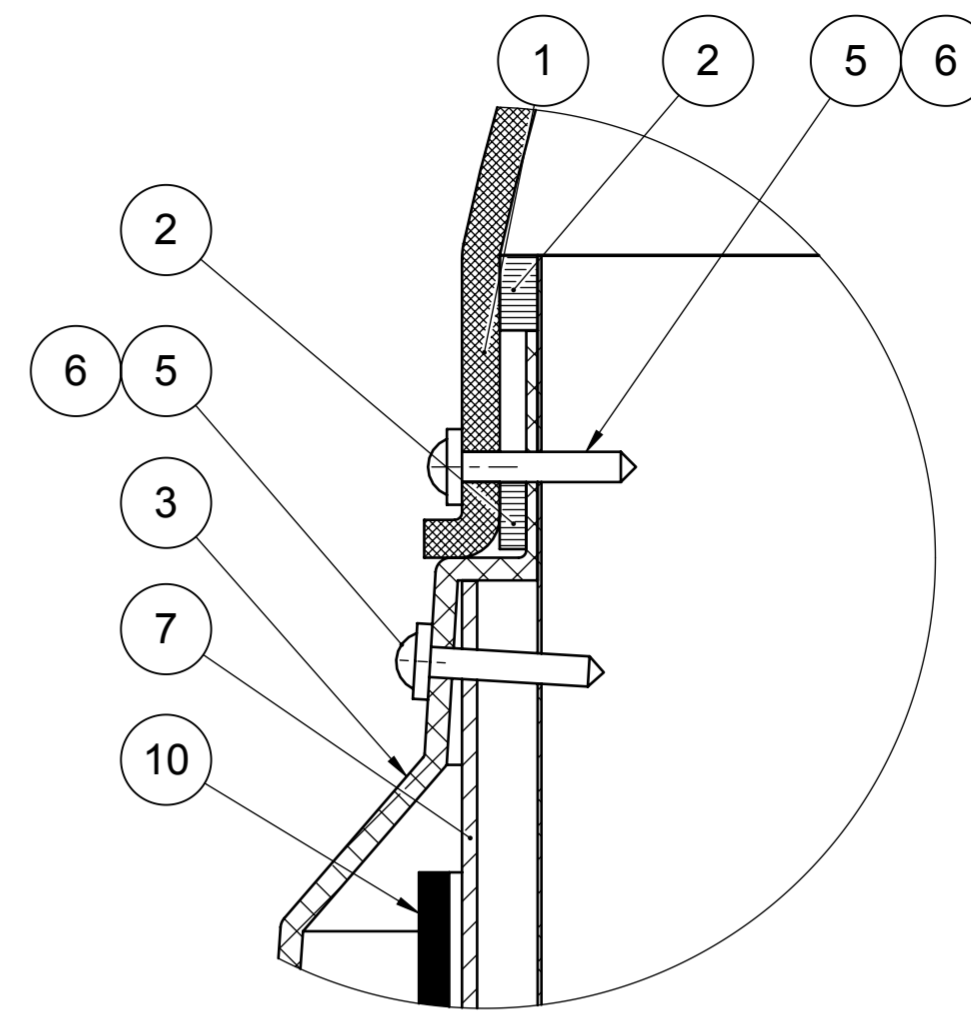
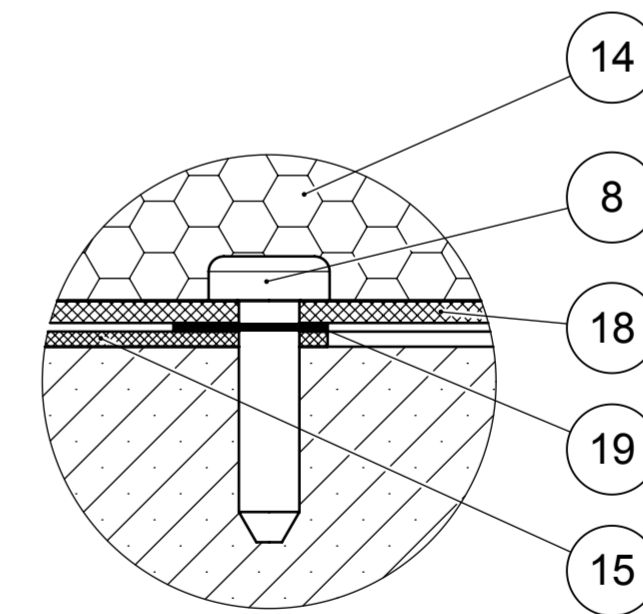


DETAIL A  
DOME FIXATION

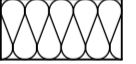
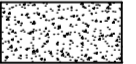

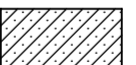
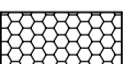




LEGEND:	
POS.	NAME
1	DOME
2	BRUSHED NYLON GASKET
3	COLLAR
4	TUBE
5	SCREW
6	ELASTIC WASHER
7	INSULATED FLASHING PLATE
8	SYSTEM FASTENER
9	SYSTEM FASTENER
10	WATERPROOFING OF FLASHING PLATE
11	GRAVEL
12	PROTECTION FABRIC
13	WATERPROOFING OF ROOF
14	EXTRUDED POLYSTYREN
15	VAPOUR BARRIER e.g. JUTA
16	CEILING STRUCTURE
17	PLASTER
18	ELASTIC VAPOUR BARRIER LIGHTWAY
19	BITUMEN SEALANTS
20	TUBE INTO DIFFUSER HOLDER
21	SCREW
22	DIFFUSER HOLDER
23	SEALING
24	DIFUSER
25	FRAME

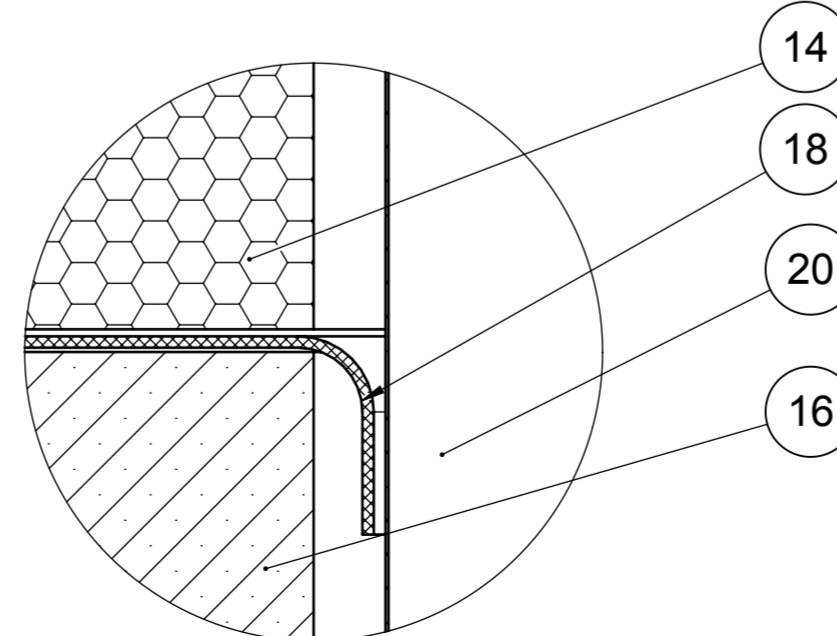
DETAIL C  
CONNECTION OF VAPOUR BARRIER



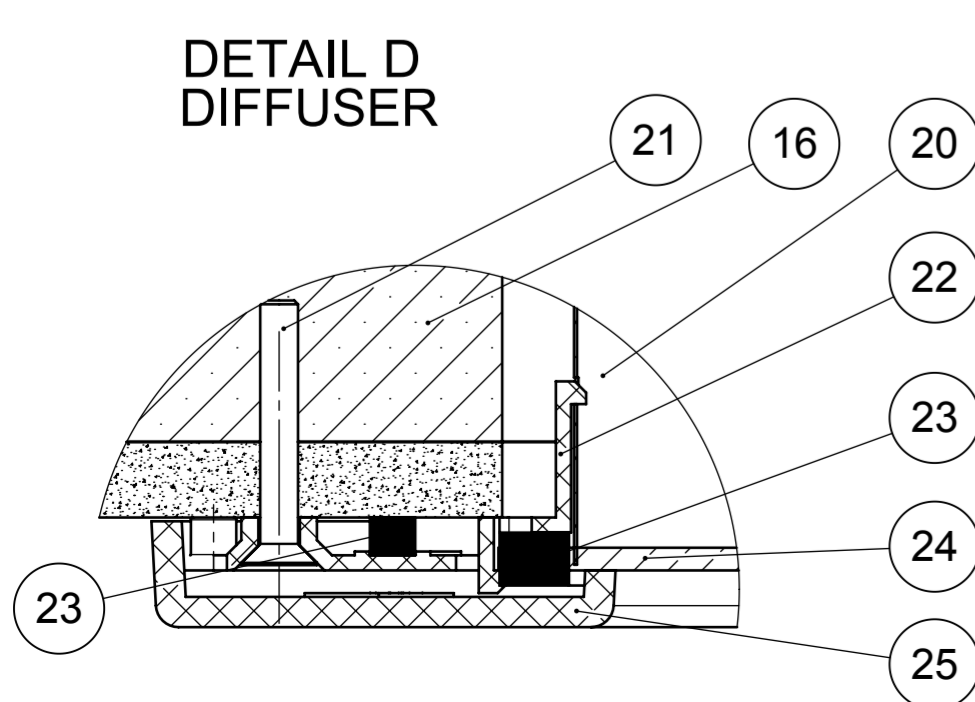
MATERIAL LEGEND:

-  INSULATION
-  PLASTER
-  PLASTIC
-  CONCRETE
-  EXTR. POLYSTYREN
-  STEEL
-  GRAVEL

DETAIL B  
SCONNECTION OF ELASTIC VAPOUR BARRIER LIGHTWAY



DETAIL D  
DIFFUSER



FITTING OF FIXING LIGHTWAY SILVER WITH INSULATED FLASHING PLATE IN FLAT ROOF  
WITH REVERSE ORDER OF LAYERS

 **lightway**<sup>®</sup>  
crystal tubular skylights

NO: SBD-0005-EN  
VERSION: 2/2011