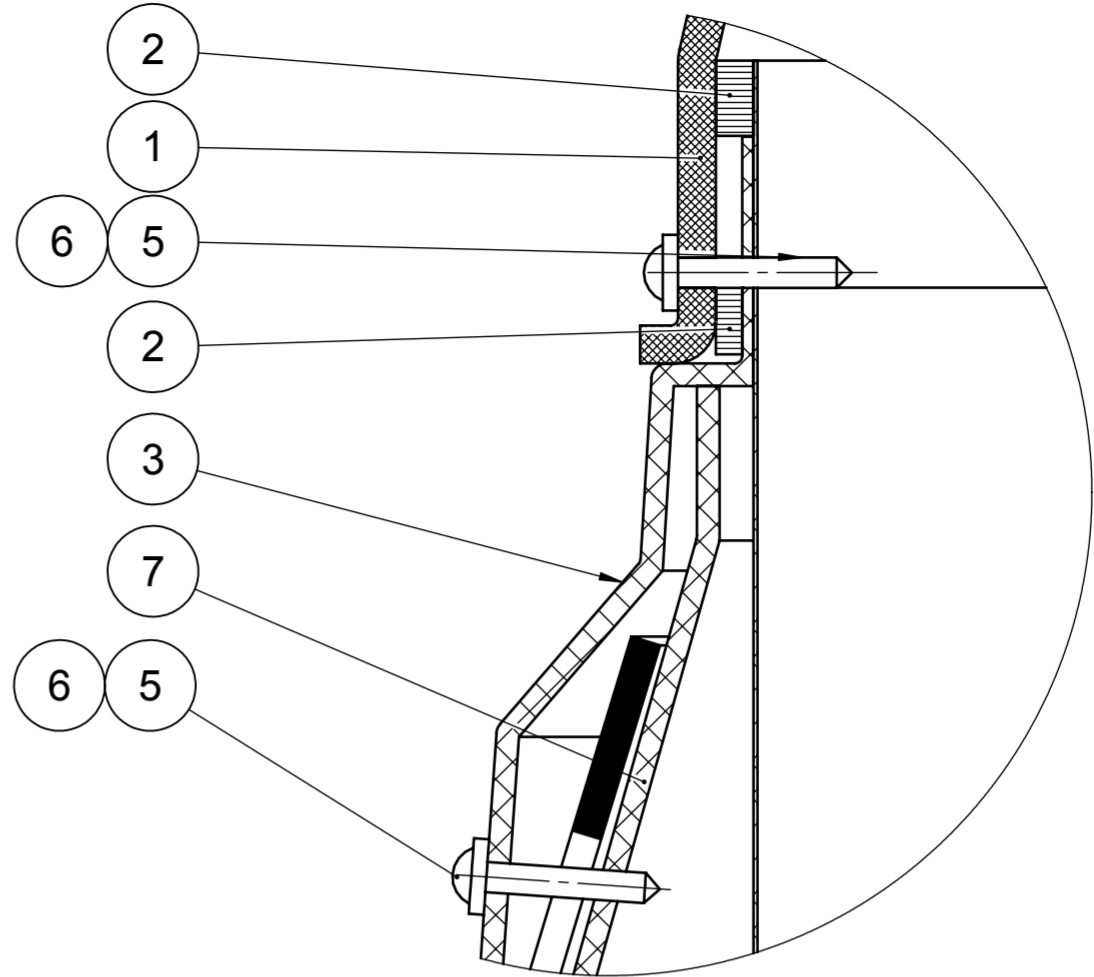
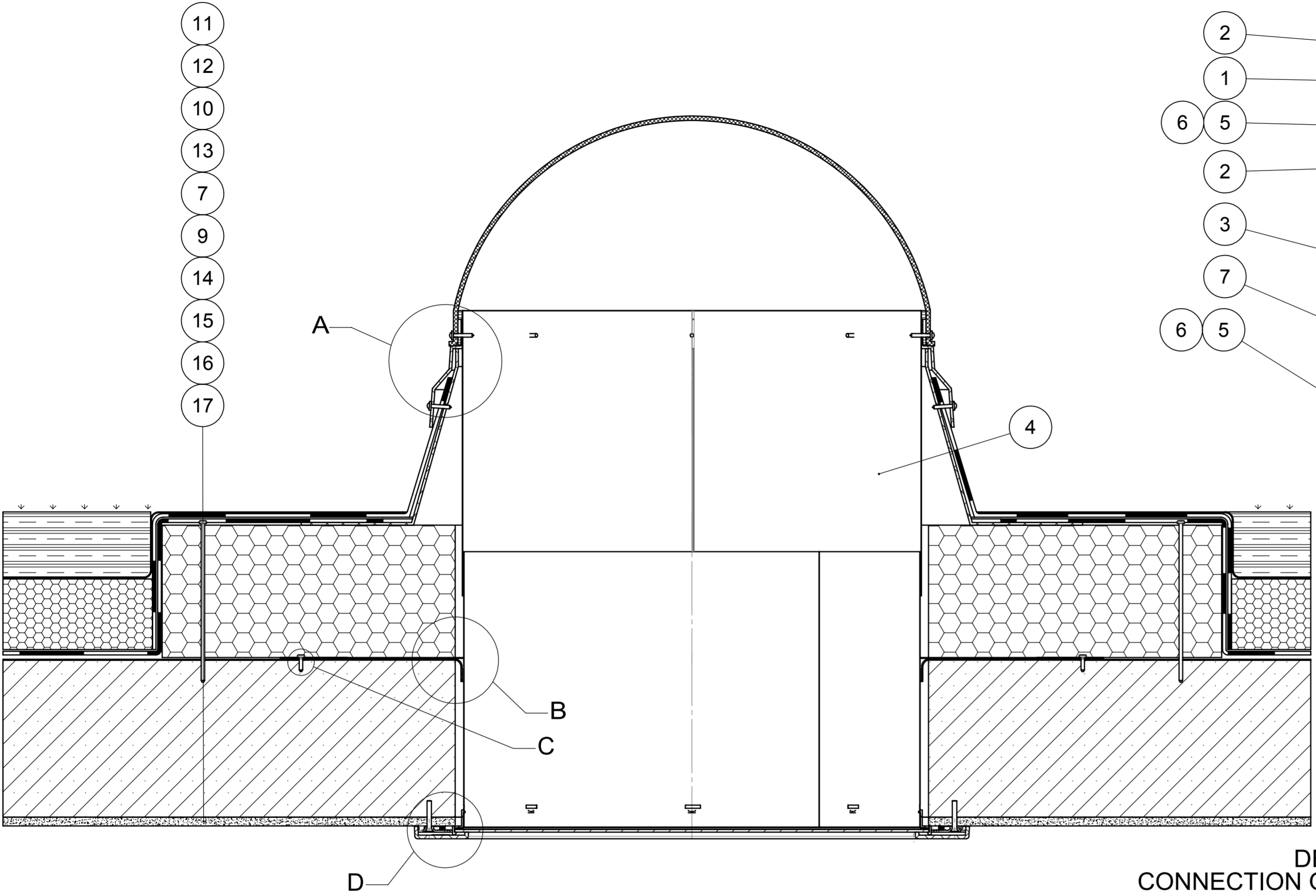


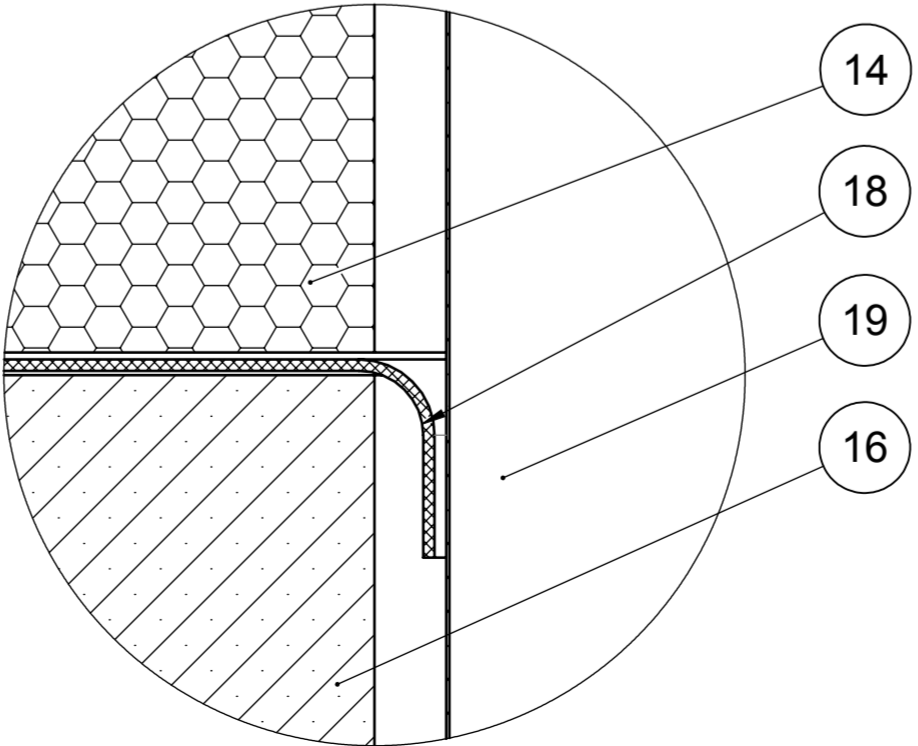
DETAIL A
DOME FIXATION



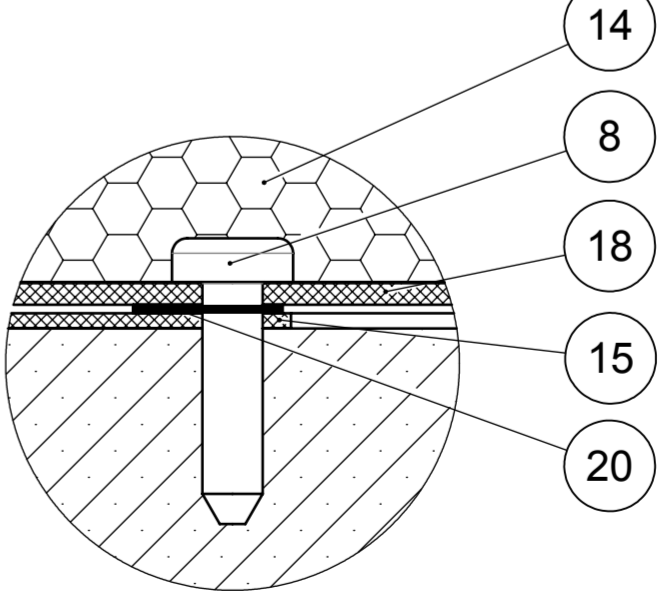
LEGEND:

POS.	NAME
1	DOMES
2	BRUSHED NYLON GASKET
3	COLLAR
4	TUBE
5	SCREW
6	ELASTIC WASHER
7	FLASHING PLATE FOR FLAT ROOF
8	SYSTEM FASTENER
9	SYSTEM FASTENER
10	WATERPROOFING OF FLASHING PLATE
11	SOIL
12	PROTECTION FABRIC
13	WATERPROOFING OF ROOF
14	EXTRUDED POLYSTYREN
15	VAPOUR BARRIER e.g. JUTA
16	CEILING STRUCTURE
17	PLASTER
18	ELASTIC VAPOUR BARRIER LIGHTWAY
19	TUBE INTO DIFFUSER HOLDER
20	BITUMEN SEALANTS
21	SCREW
22	DIFFUSER HOLDER
23	SEALING
24	DIFFUSER
25	FRAME

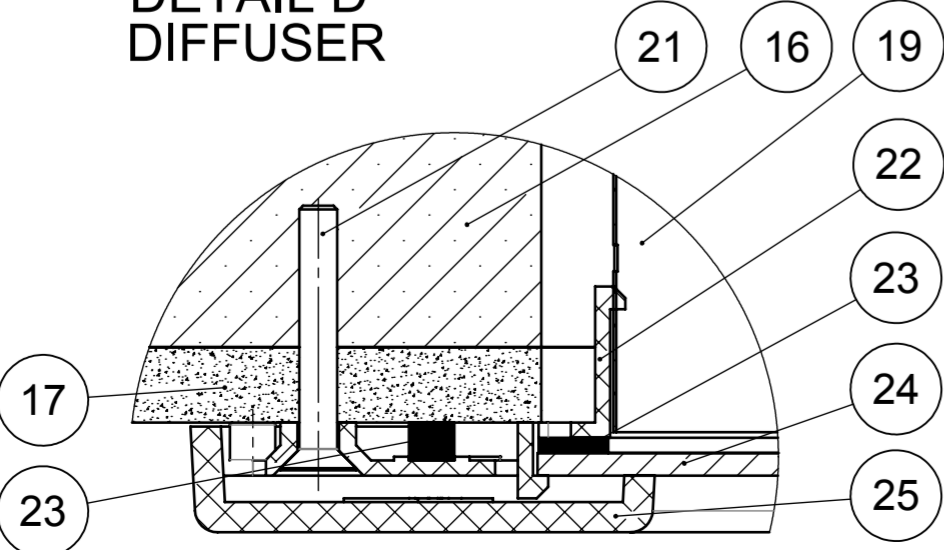
DETAIL B
CONNECTION OF ELASTIC VAPOUR BARRIER LIGHTWAY



DETAIL C
CONNECTION OF VAPOUR BARRIER



DETAIL D
DIFFUSER



MATERIAL LEGEND:

	PLASTER
	PLASTIC
	CONCRETE
	EXTR. POLYSTYREN
	SOIL

FITTING OF FIXING OF LIGHTWAY SILVER SYSTEM IN FLAT ROOF WITH REVERSE ORDER OF LAYERS - GREEN ROOF -



NO: SBD-0004-EN
VERSION: 2/2011