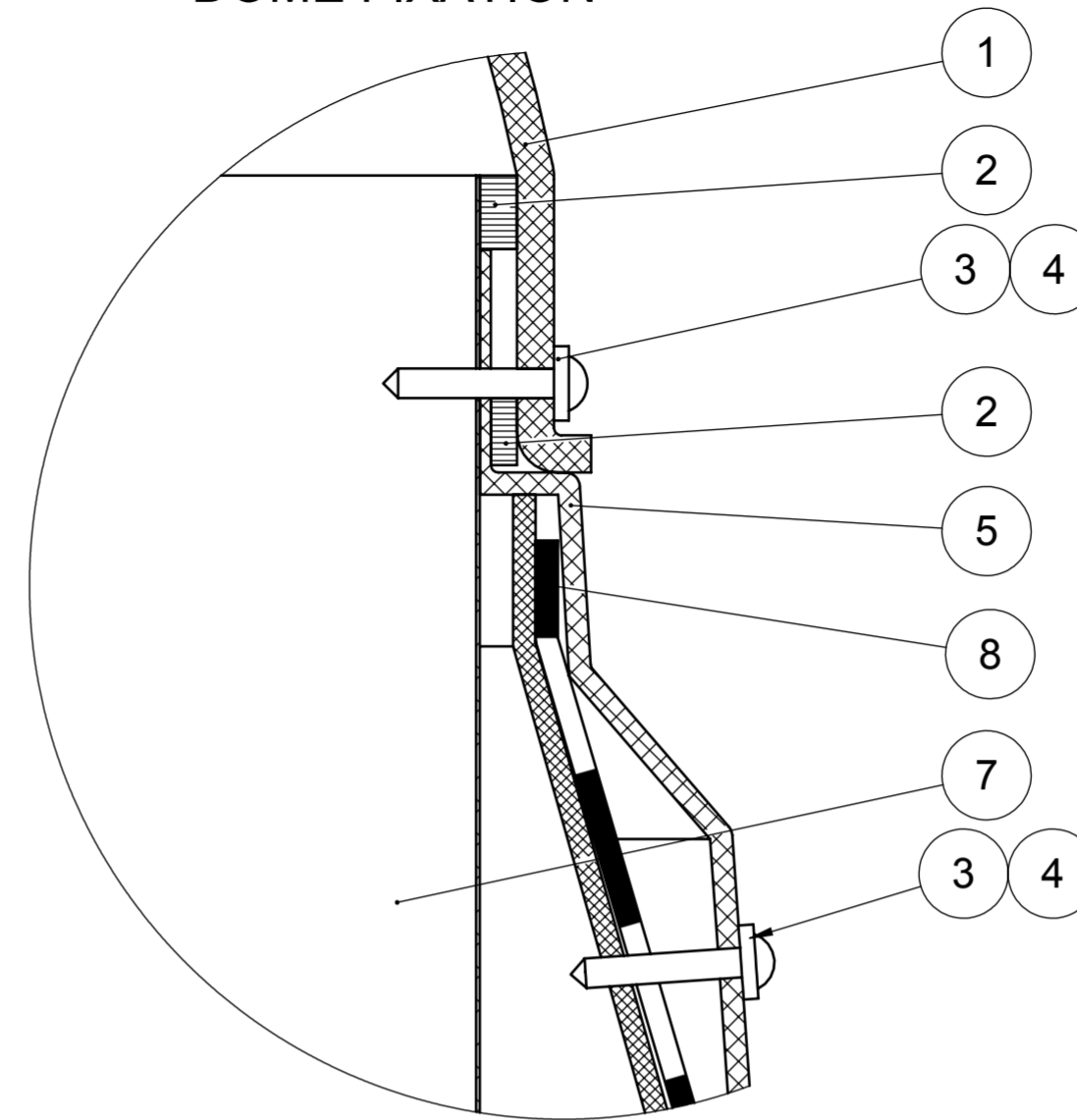


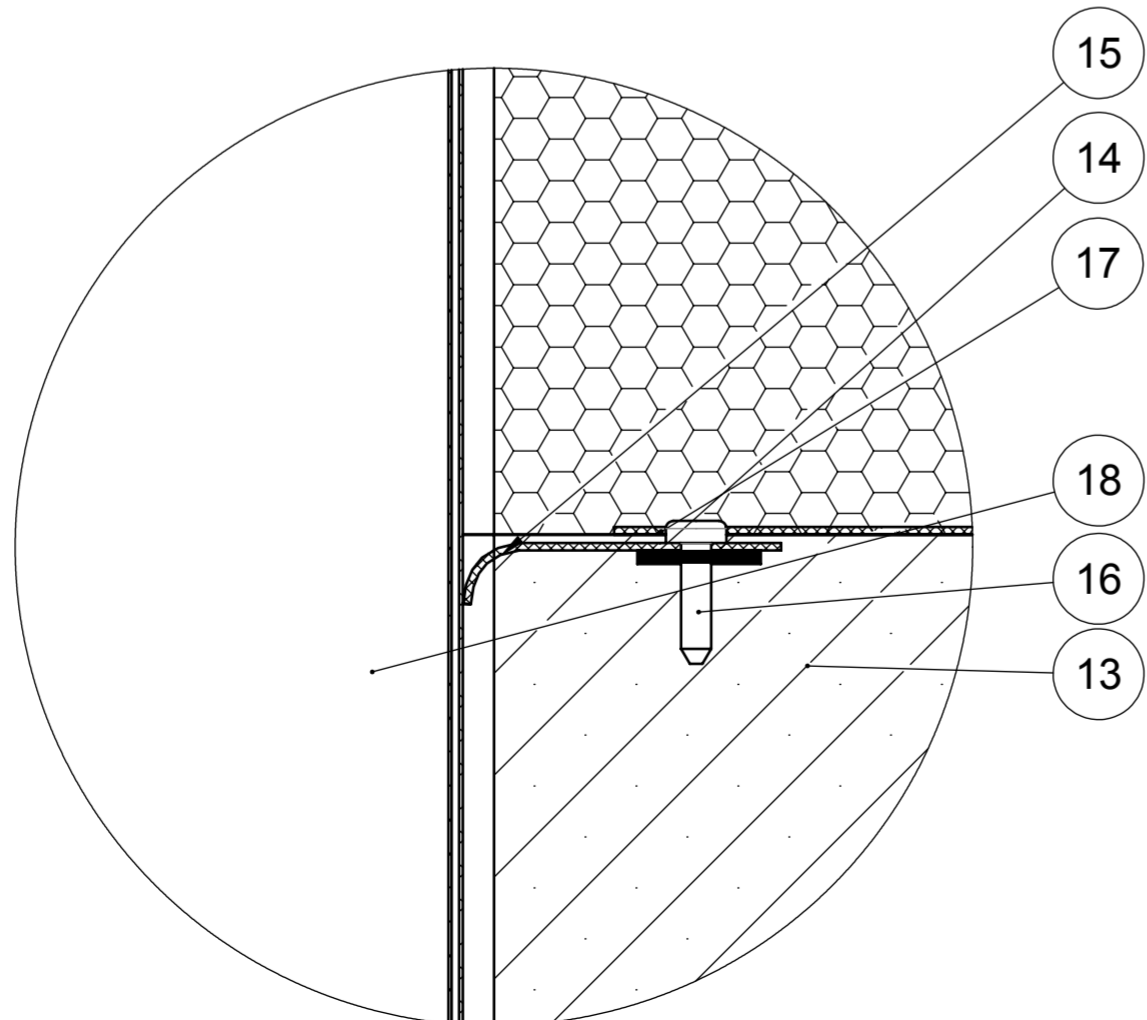
DETAIL A
DOME FIXATION



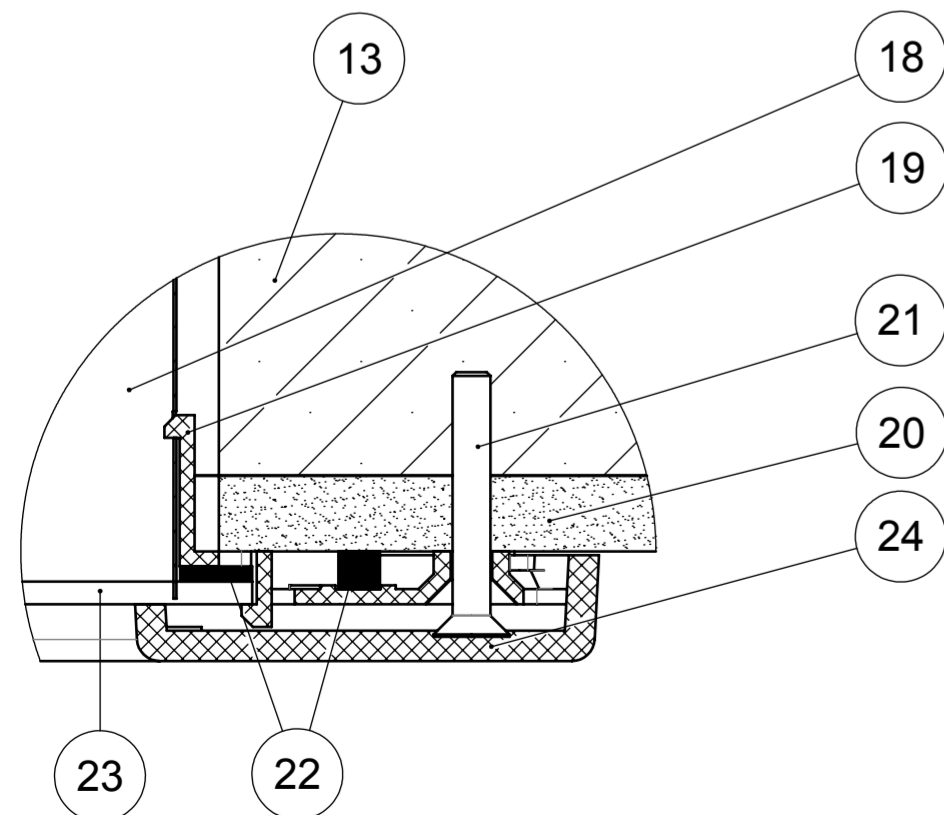
DETAIL B
CONNECTION OF WATERPROOFING



DETAIL C
CONNECTION OF VAPOUR BARRIER



DETAIL D
DIFFUSER



LEGEND:

POS.	NAME
1	DOME
2	BRUSHED NYLON GASKET
3	ELASTIC WASHER
4	SCREW
5	COLLAR
6	FLASHING PLATE FOR FLAT ROOF
7	TUBE
8	WATERPROOFING OF FLASHING PLATE
9	WATERPROOFING OF ROOF
10	SYSTEM FASTENER
11	EXTRUDED POLYSTYREN
12	INSULATION
13	CEILING STRUCTURE
14	BITUMEN SEALANTS
15	ELASTIC VAPOUR BARRIER LIGHTWAY
16	SYSTEM FASTENER
17	VAPOUR BARRIER e.g. JUTA
18	TUBE INTO DIFFUSER HOLDER
19	DIFFUSER HOLDER
20	PLASTER
21	SCREW
22	SEALING
23	DIFFUSER
24	FRAME

MATERIAL LEGEND:

	INSULATION
	PLASTER
	PLASTIC
	CONCRETE
	WOOD
	EXTRUDED POLYSTYREN

EXAMPLE FITTING OF LIGHTWAY SILVER IN FLAT ROOF WITH ONE ROOF DECK

lightway[®]
crystal tubular skylights

NO:
SBD-0002-EN

VERSION:
2/2011