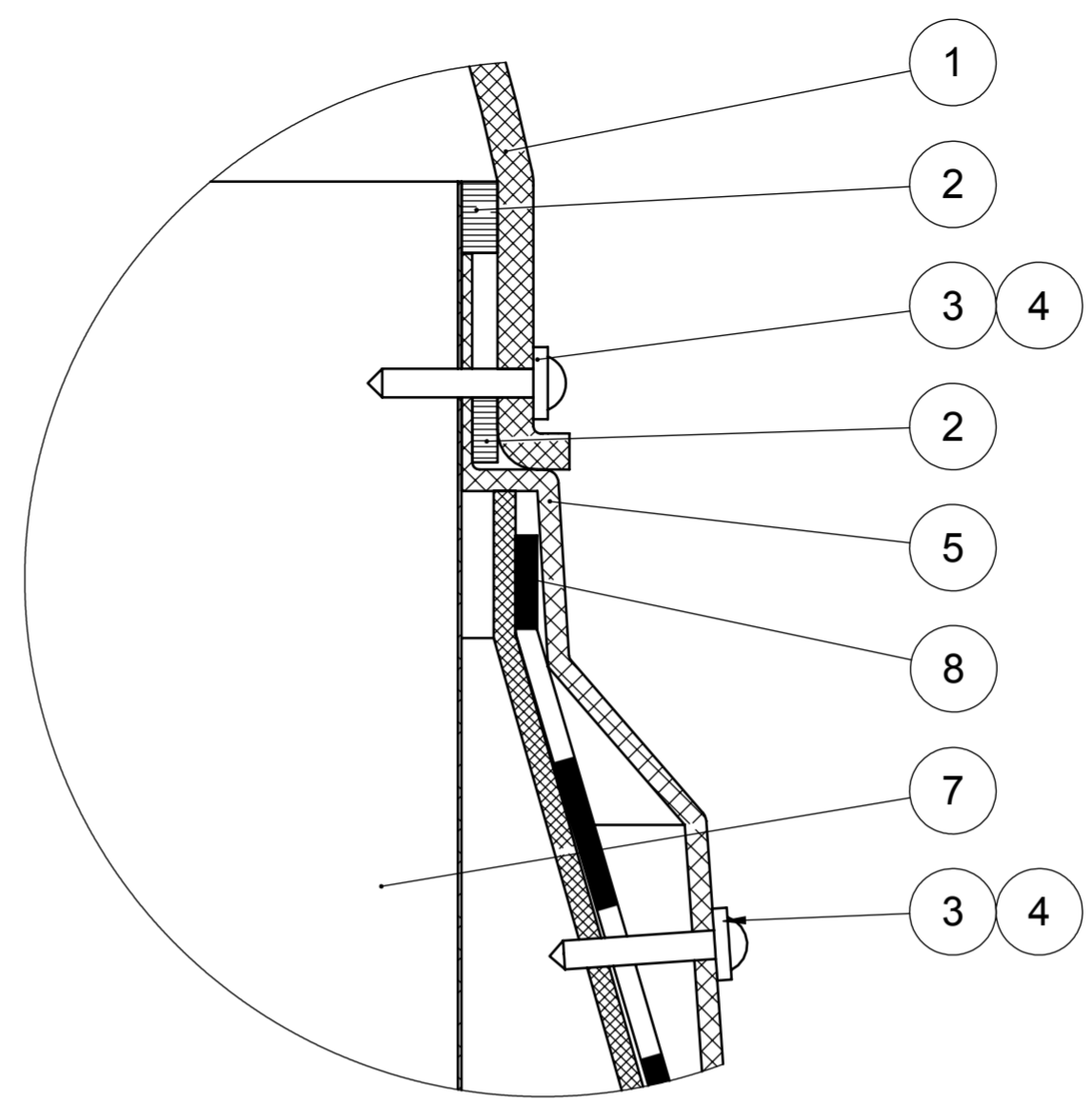
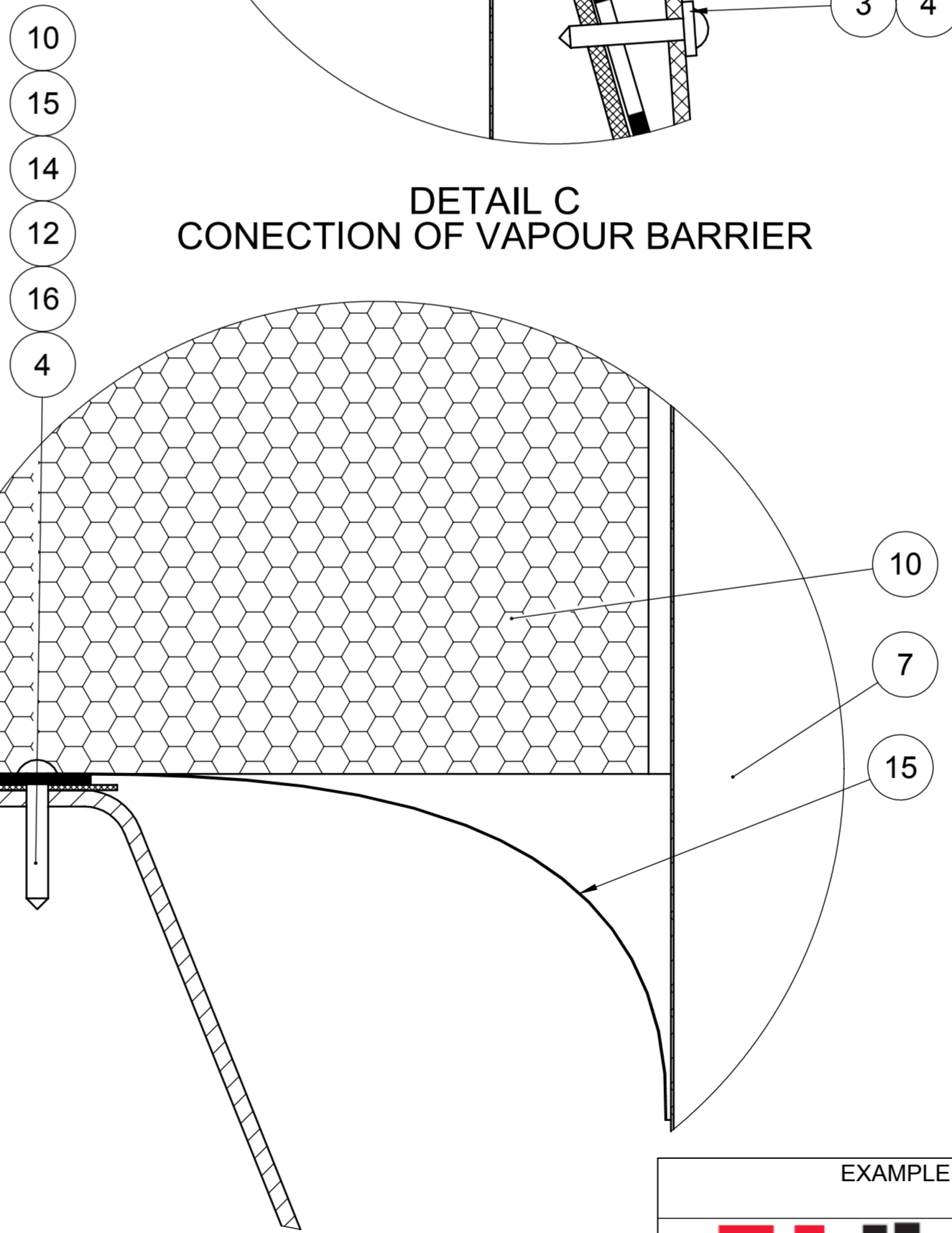


DETAIL D
DIFFUSER INSTANT

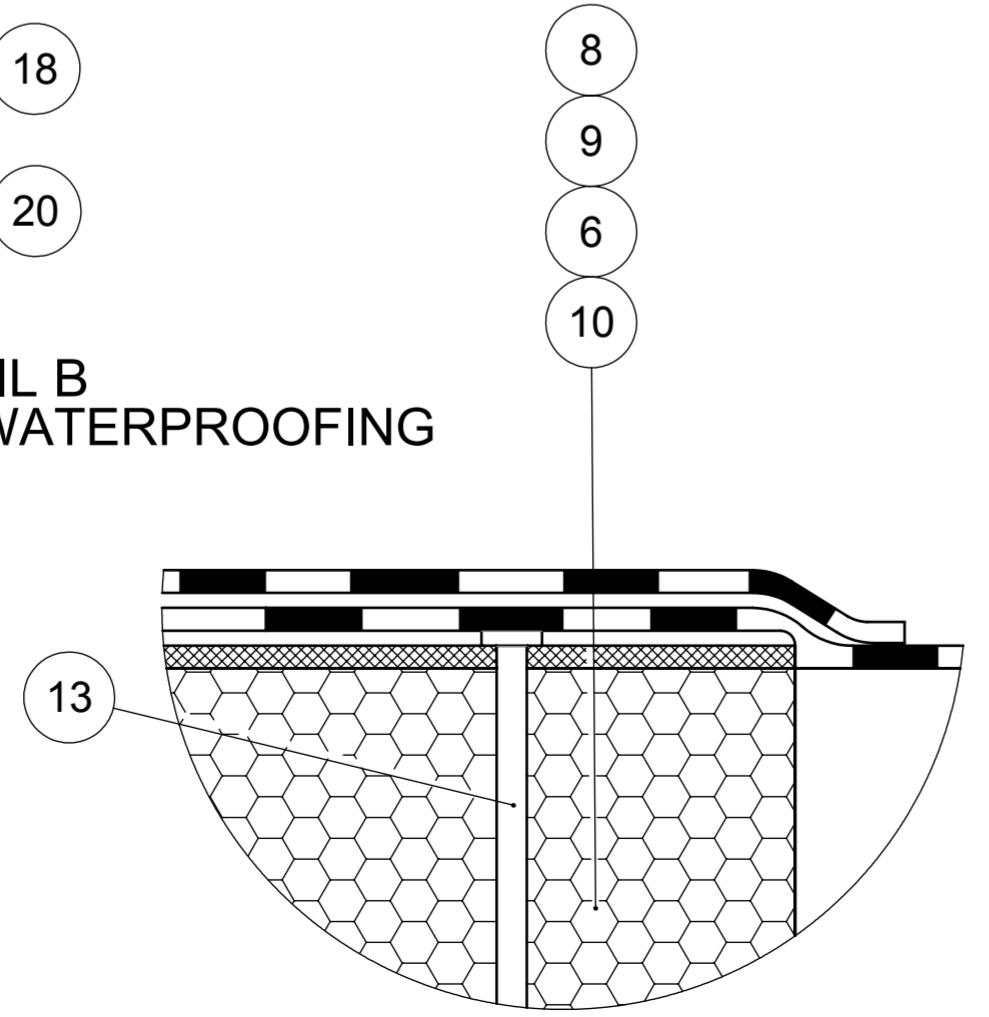
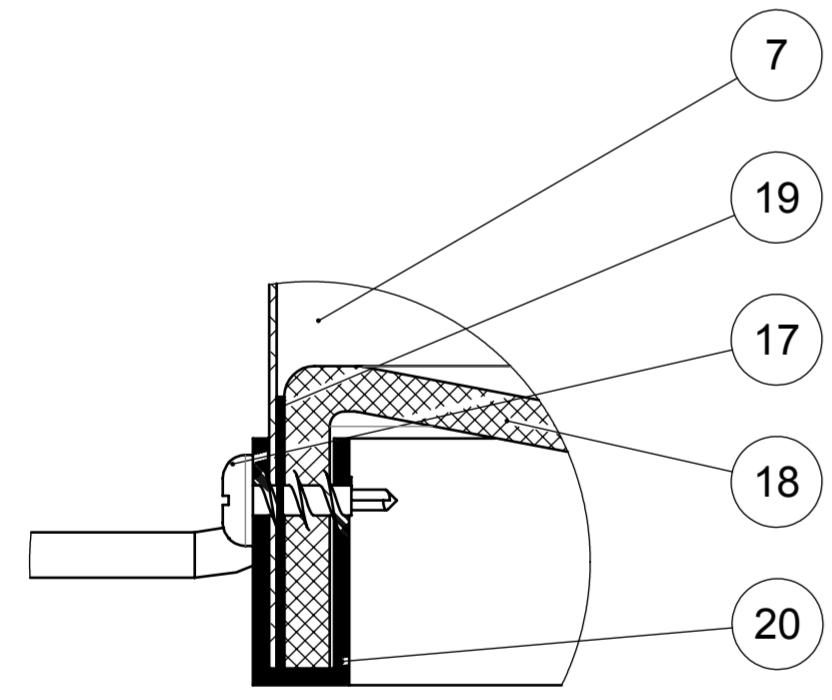
DETAIL A
DOME FIXATION



DETAIL C
CONNECTION OF VAPOUR BARRIER



DETAIL B
CONNECTION OF WATERPROOFING



EXPLANATION:

POS.	NAME
1	DOME
2	BRUSHED NYLON GASKED
3	ELASTIC WASHER
4	SCREW
5	COLLAR
6	FLASHING PLATE FOR FLAT ROOF
7	TUBE
8	WATERPROOFING OF FLASHING PLATE
9	WATERPROOFING IN ROOF
10	EXT. POLYSTYREN
11	INSULATION
12	VAPOUR BARRIER e.g. JUTA
13	SYSTEM FASTENER
14	BITUMEN SEALANTS
15	ELASTIC VAPOUR BARRIER LIGHTWAY
16	CORRUGATED SHEET
17	SYSTEM FASTENER
18	DIFFUSER INSTANT
19	SEALING
20	HEMMING TAPE

EXPLANATION OF MATERIALS:

	INSULATION
	PLASTER
	PLASTIC
	WOOD
	EXTR. POLYSTYREN
	STEEL

EXAMPLE FITTING OF LIGHTWAY INSTANT IN FLAT ROOF
- CORRUGATED SHEET

crystal tubular skylights

NO: SBD-0007-EN
VERSION: 2/2011