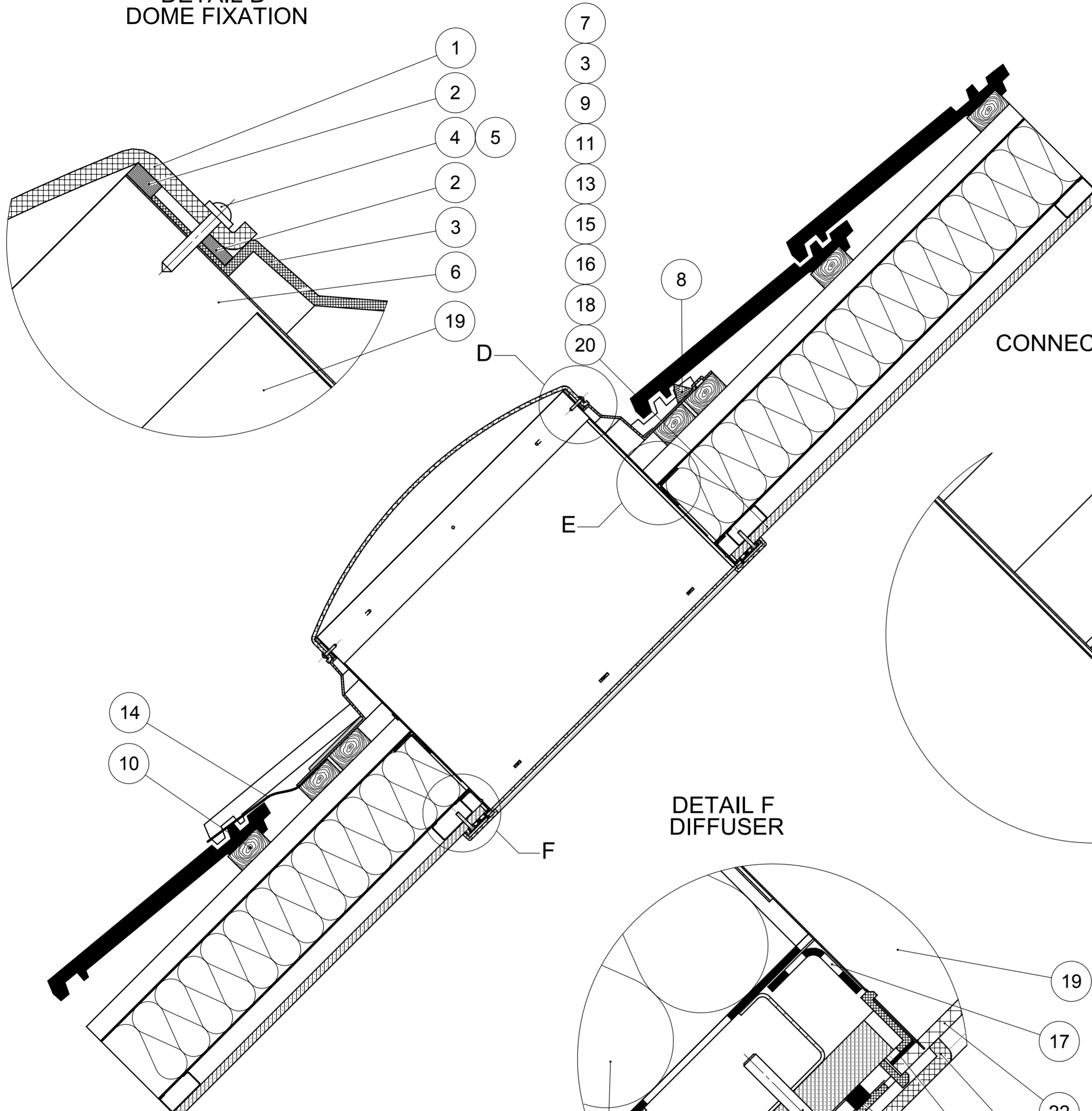
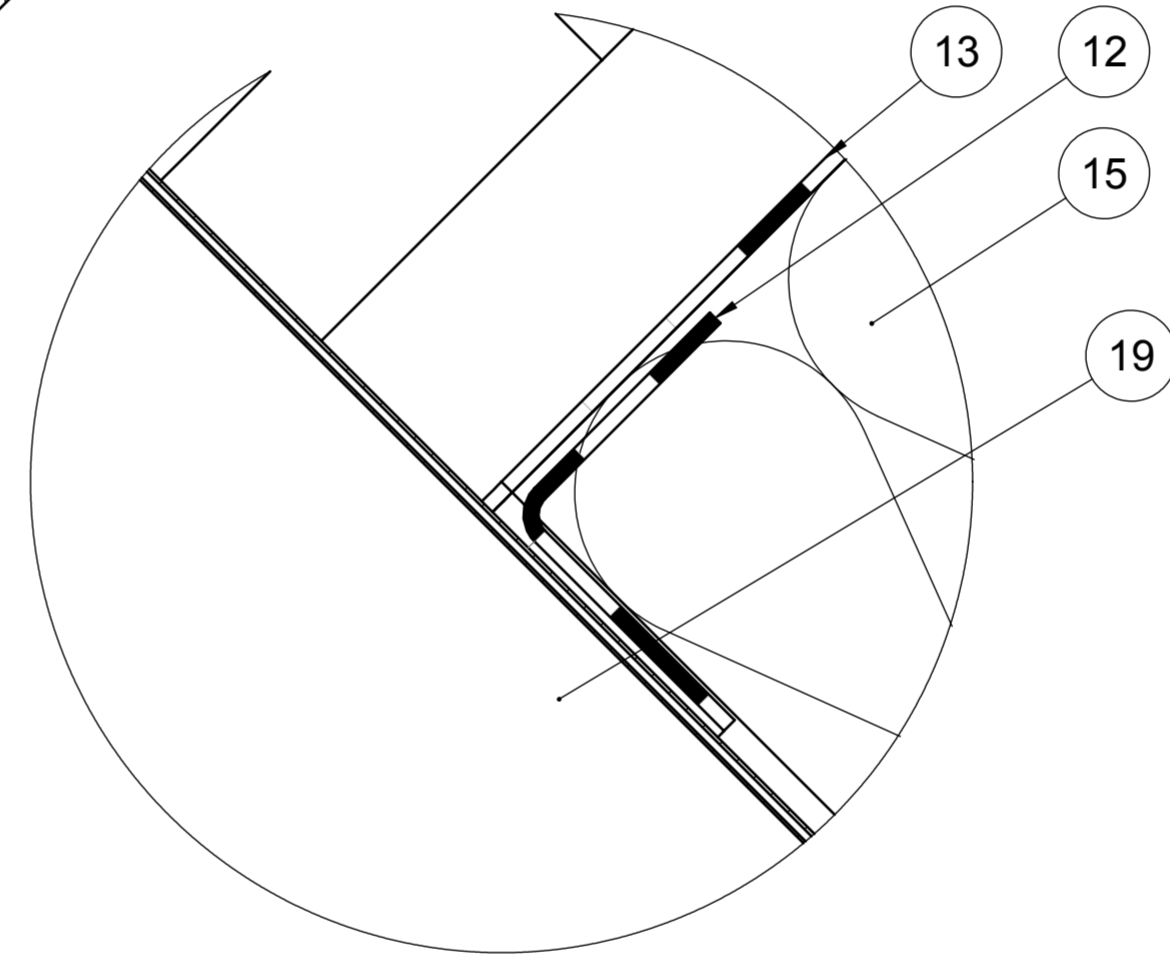


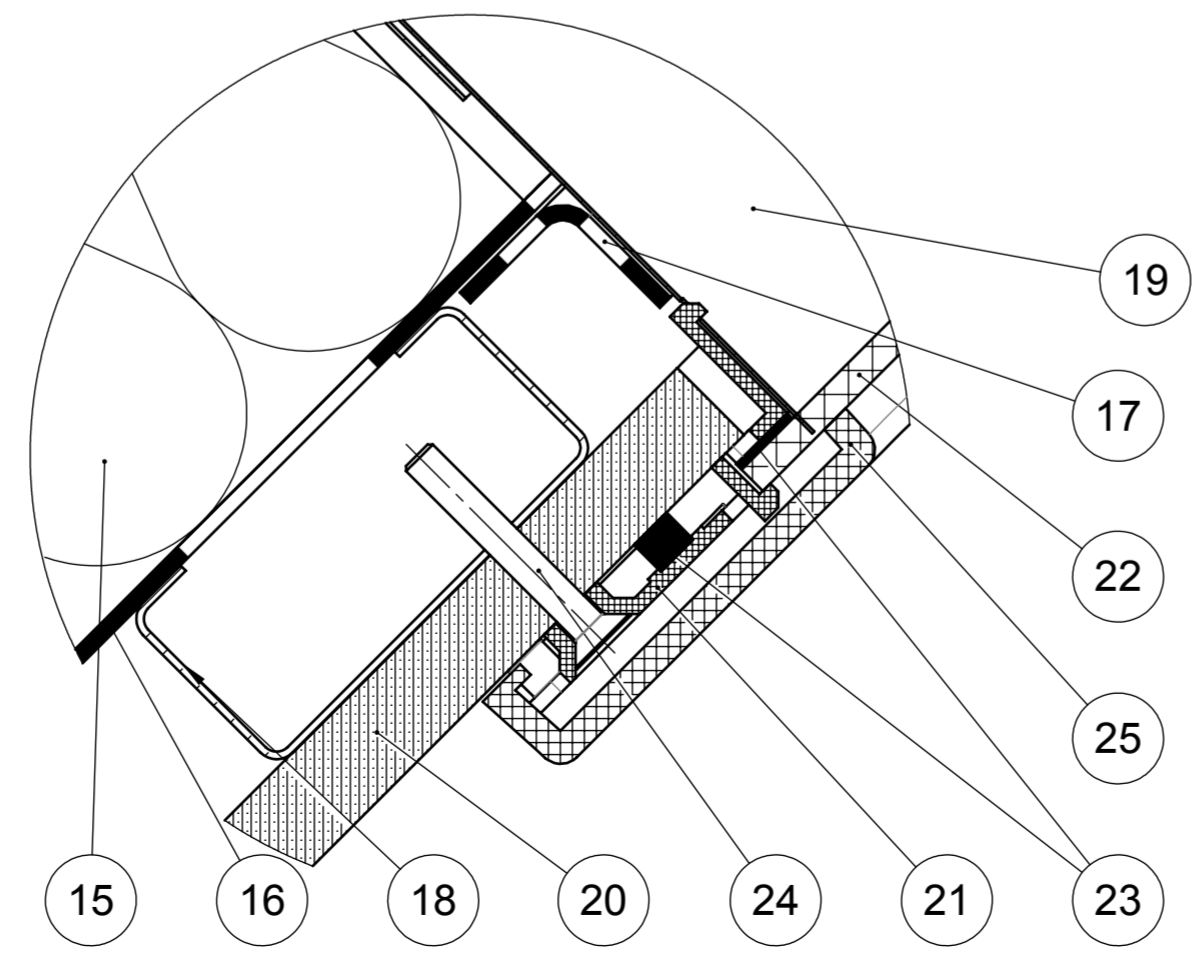
DETAIL D
DOME FIXATION



DETAIL E
CONNECTION OF SAFETY WATERPROOFING



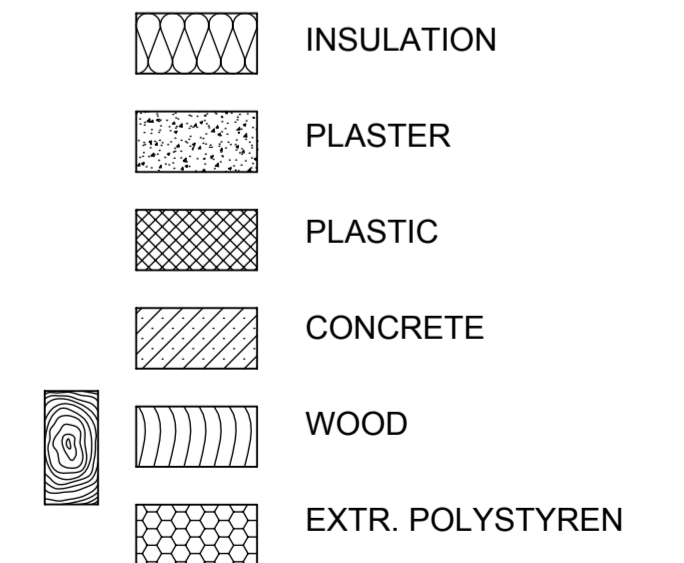
DETAIL F
DIFFUSER



LEGEND:

POS.	NAME
1	DOME
2	BRUSHED NYLON GASKET
3	FLASHING PLATE FOR PITCHED ROOF
4	SCREW
5	ELASTIC WASHER
6	TUBE
7	ROOFING
8	CAULKING PROFILE FOR FLASHING PLATE
9	SUPPORT BATTEN
10	BATTEN
11	COUNTER BATTEN
12	SYSTEM TAPE e.g. JUTA
13	SAFETY WATERPROOFING e.g. JUTA
14	SEAM FOIL
15	INSULATION
16	VAPOUR BARRIER e.g. JUTA
17	SYSTEM TYPE e.g. JUTA
18	PROFILE FOR PLASTERBOARD
19	TUBE INTO DIFFUSER HOLDER
20	PLASTERBOARD
21	DIFFUSER HOLDER
22	DIFFUSER
23	SEALING
24	SCREW
25	FRAME

MATERIAL LEGEND:



EXAMPLE FITTING OF LIGHTWAY SILVER IN PITCHED ROOF
WITH INSULATION AND ATTIC



NO:
SBD-0010-EN
VERSION:
2/2011