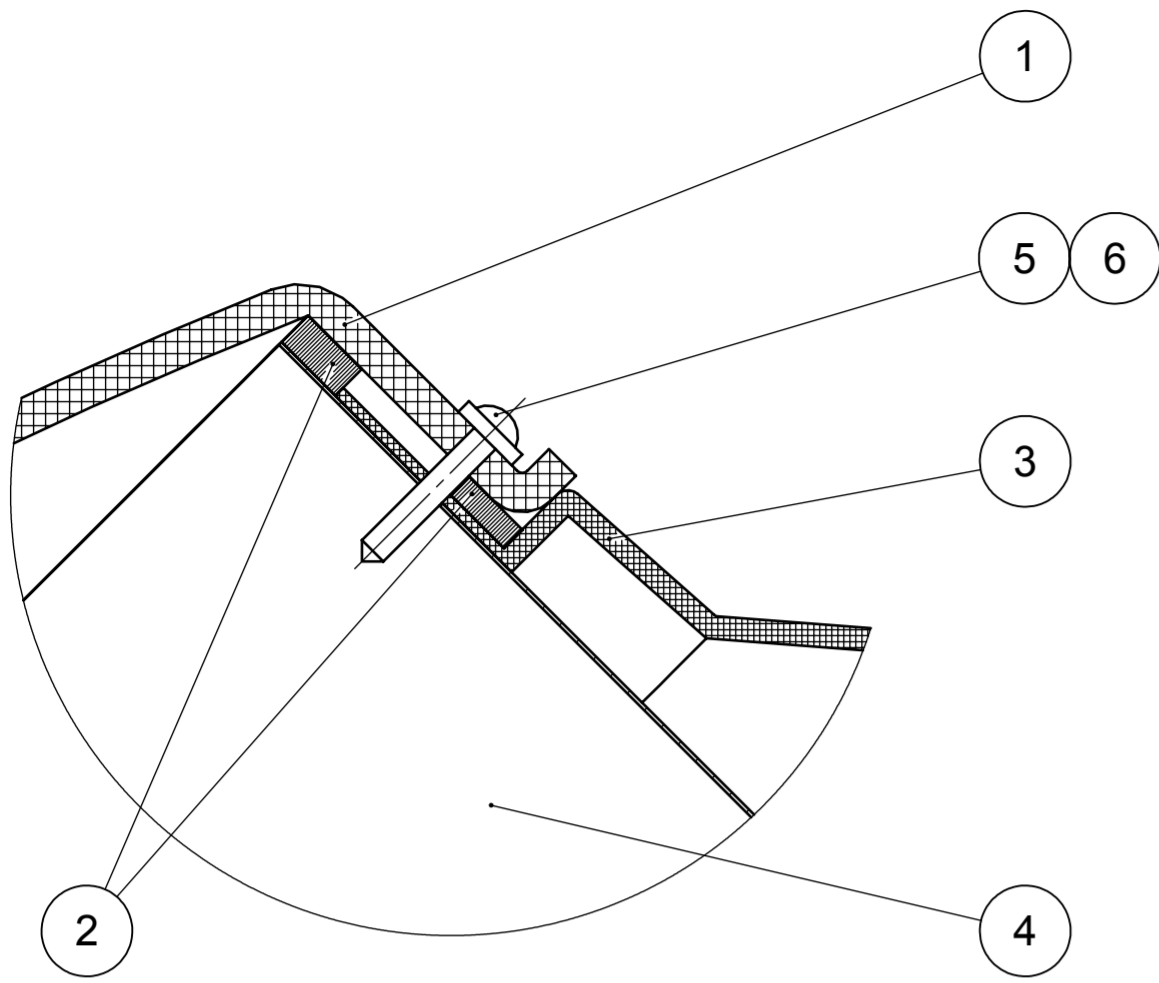
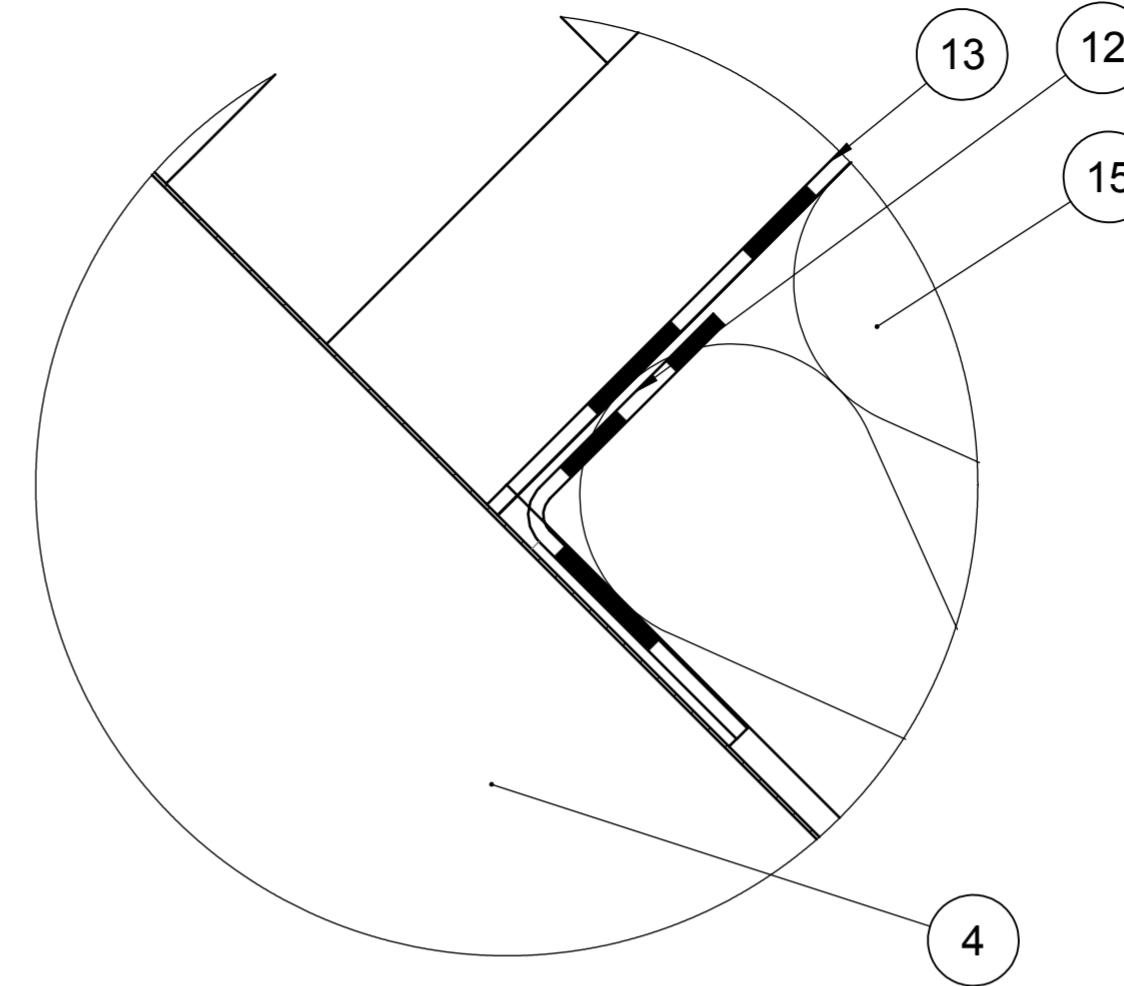


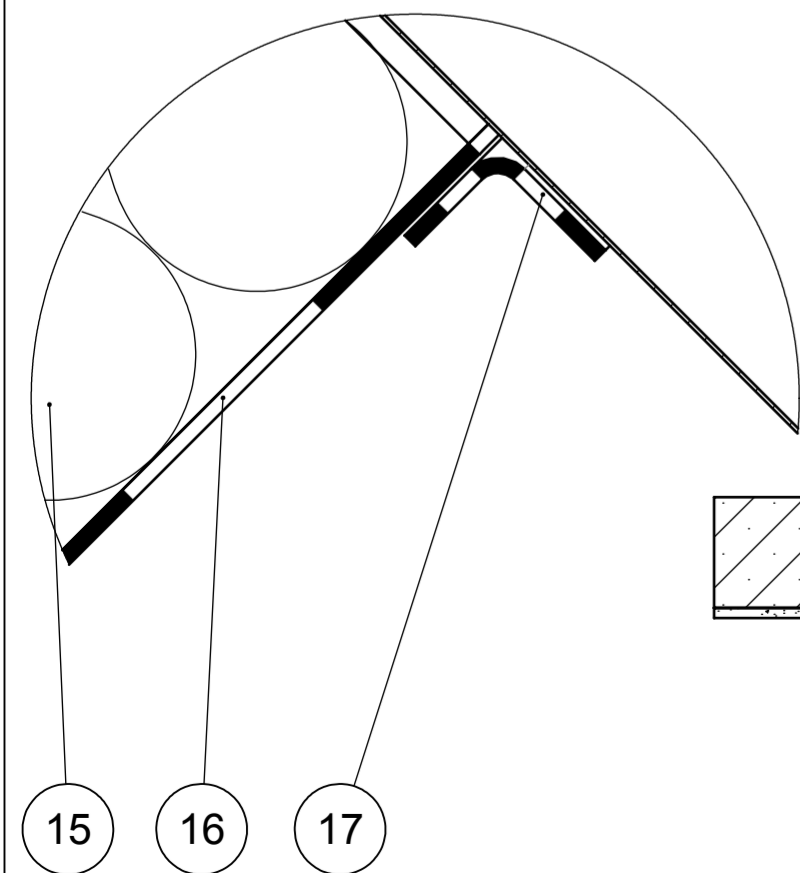
DETAIL D  
DOME FIXATION



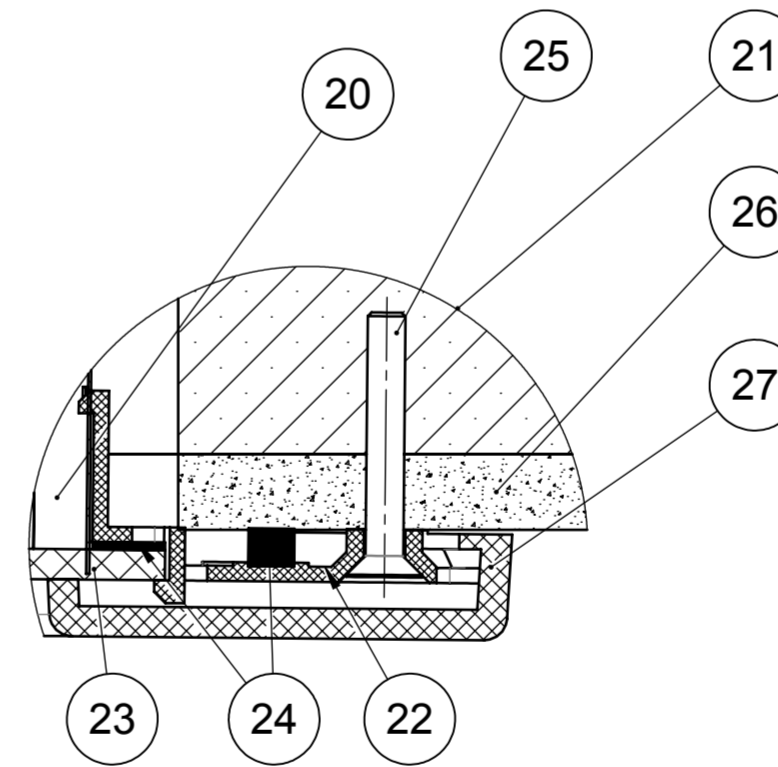
DETAIL E  
CONNECTION OF SAFETY WATERPROOFING



DETAIL F  
CONNECTION OF VAPOUR BARRIER



DETAIL G  
DIFFUSER



LEGEND:	
POS.	NAME
1	DOME
2	BRUSHED NYLON GASKET
3	FLASHING PLATE FOR PITCHED ROOF
4	TUBE
5	SCREW
6	ELASTIC WASHER
7	FLASHING PLATE SEALING SECTION
8	ROOFING
9	SUPPORT BATTEN
10	BATTEN
11	COUNTER BATTEN
12	SYSTEM TAPE e.g. JUTA
13	SAFETY WATERPROOFING e.g. JUTA
14	SEAM FOIL
15	INSULATION
16	VAPOUR BARRIER e.g. JUTA
17	SYSTEM TAPE e.g. JUTA
18	ADJUSTABLE ELBOW
19	TUBE
20	TUBE INTO DIFFUSER HOLDER
21	CEILING STRUCTURE
22	DIFFUSER HOLDER
23	DIFFUSER
24	SEALING
25	SCREW
26	PLASTER
27	FRAME

MATERIAL LEGEND:

	INSULATION
	PLASTER
	PLASTIC
	CONCRETE
	WOOD
	EXTR. POLYSTYREN

EXAMPLE FITTING OF LIGHTWAY SILVER IN PITCHED ROOF WITH INSULATION AND PASSAGE THROUGH GARRET



NO: SBD-0008-EN

VERSION: 1/2011