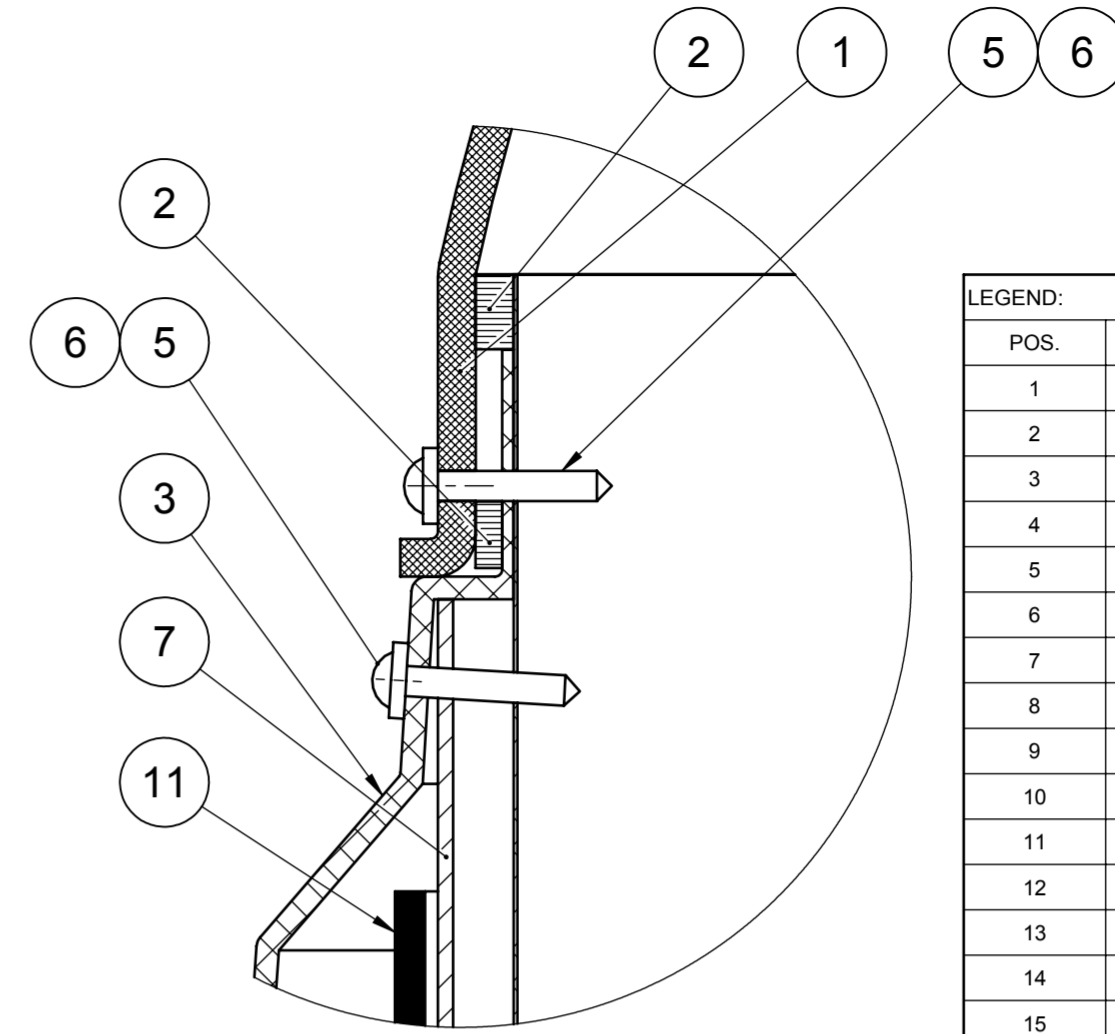
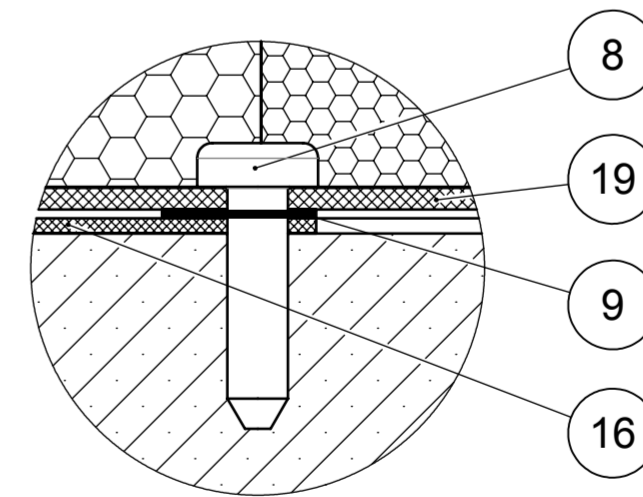


DETAIL A
DOME FIXATION



LEGEND:	
POS.	NAME
1	DOME
2	BRUSHED NYLON GASKET
3	COLLAR
4	TUBE
5	SCREW
6	ELASTIC WASHER
7	INSULATED FLASHING PLATE
8	SYSTEM FASTENER
9	BITUMEN SEALANTS
10	SYSTEM FASTENER
11	WATERPROOFING OF FLASHING PLATE
12	SOIL
13	PROTECTION FABRIC
14	WATERPROOFING OF ROOF
15	EXTRUDED POLYSTYREN
16	VAPOUR BARRIER e.g. JUTA
17	CEILING STRUCTURE
18	PLASTER
19	ELASTIC VAPOUR BARRIER LIGHTWAY
20	TUBE INTO DIFFUSER HOLDER
21	SCREW
22	DIFFUSER HOLDER
23	SEALING
24	DIFFUSER
25	FRAME
26	ISOLATION ELEMENT BLUE PERFORMANCE

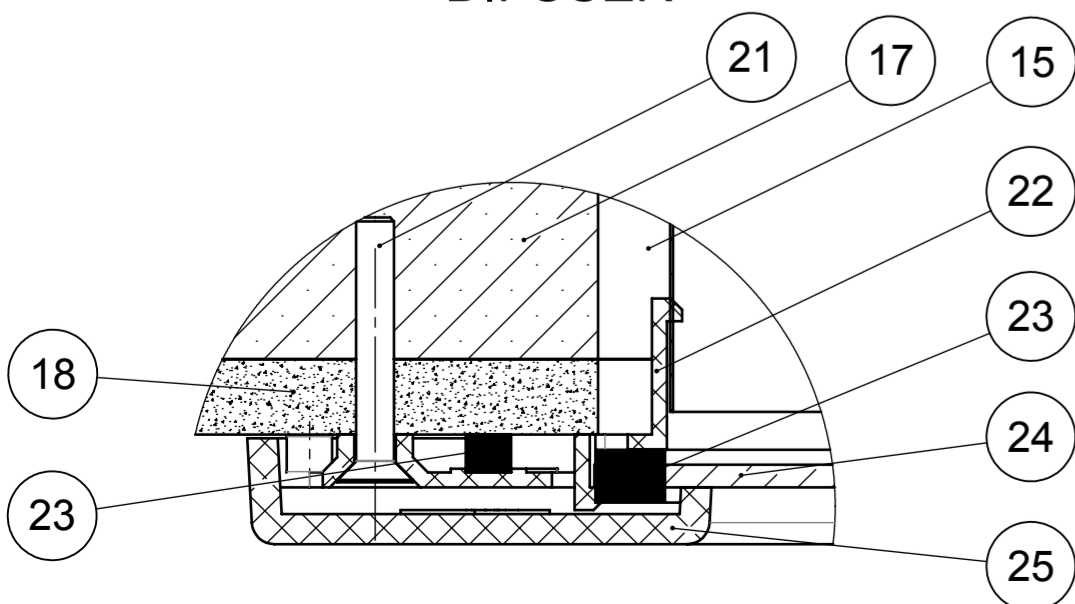
DETAIL C
CONNECTION OF VAPOUR BARRIER



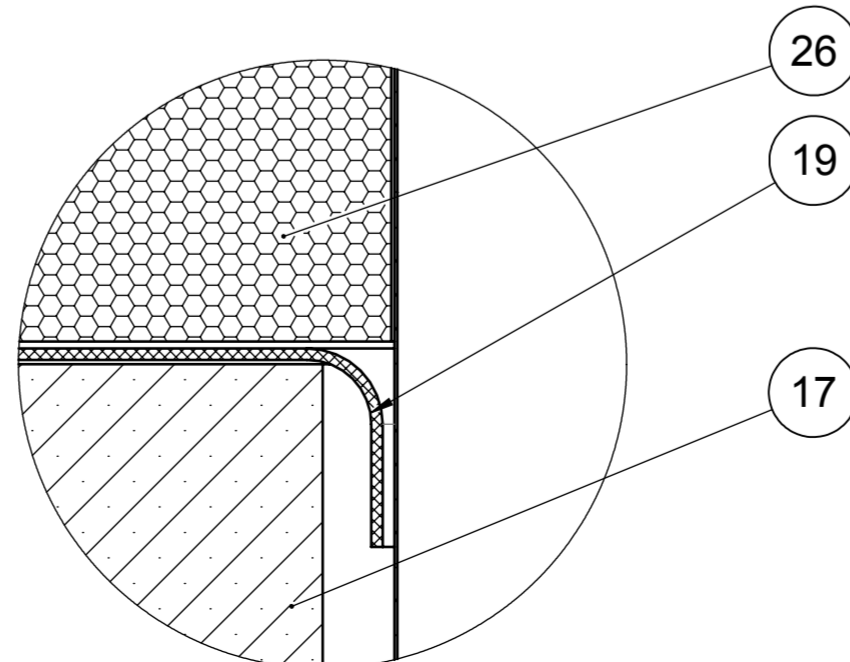
MATERIAL LEGEND:

	INSULATION
	PLASTER
	PLASTIC
	CONCRETE
	EXTR. POLYSTYREN
	STEEL
	SOIL

DETAIL D
DIFUSER



DETAIL B
CONNECTION OF ELASTIC VAPOUR BARRIER LIGHTWAY



FITTING OF FIXING LIGHTWAY SILVER WITH ISOLATION ELEMENT BLUE PERFORMANCE WITH INSULATED FLASHING PLATE IN FLAT ROOF WITH REVERSE ORDER OF LAYERS - GREEN ROOF -

lightway[®]
crystal tubular skylights

NO: SBDBP-0006-EN
VERSION: 1/2011