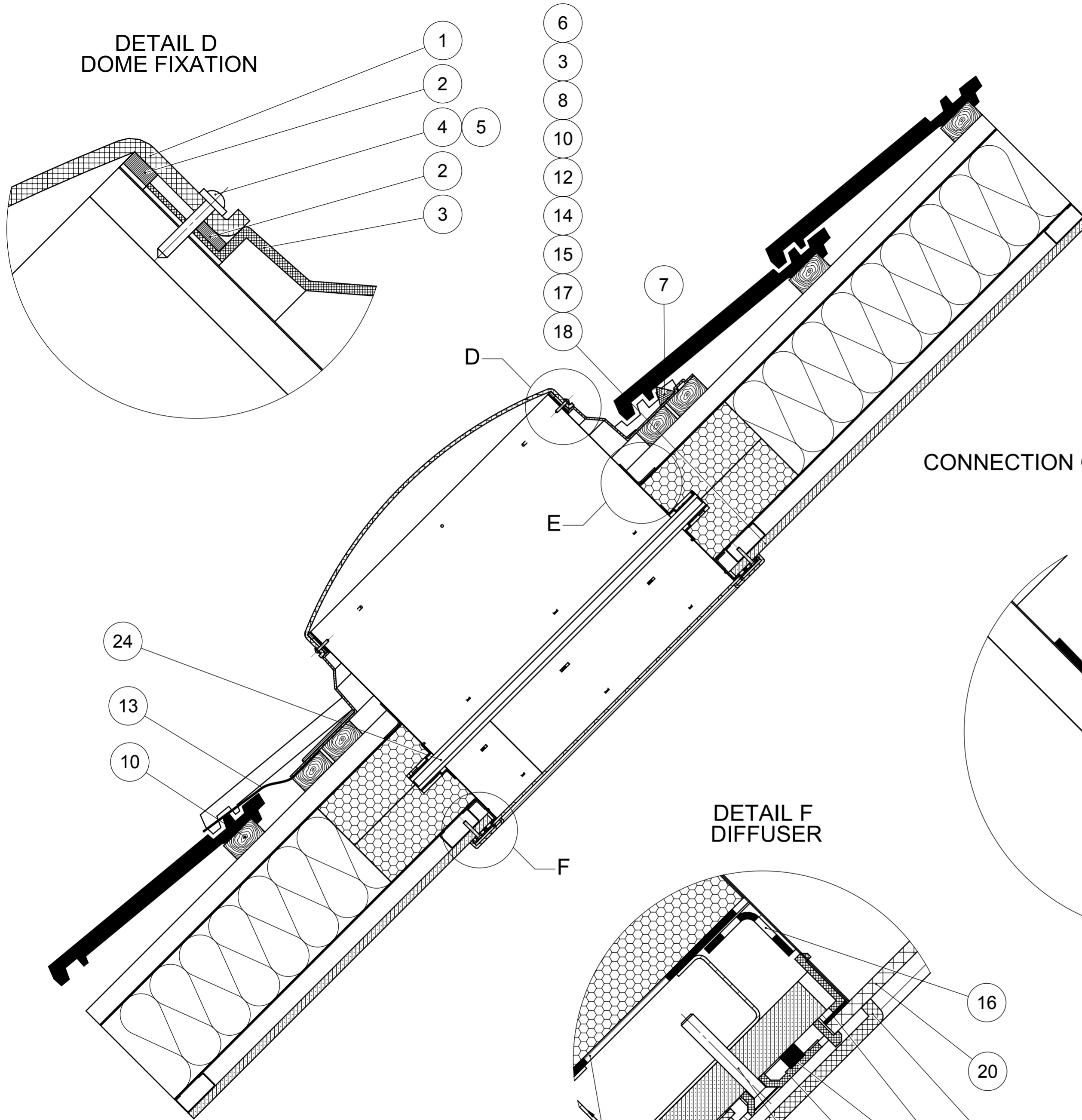
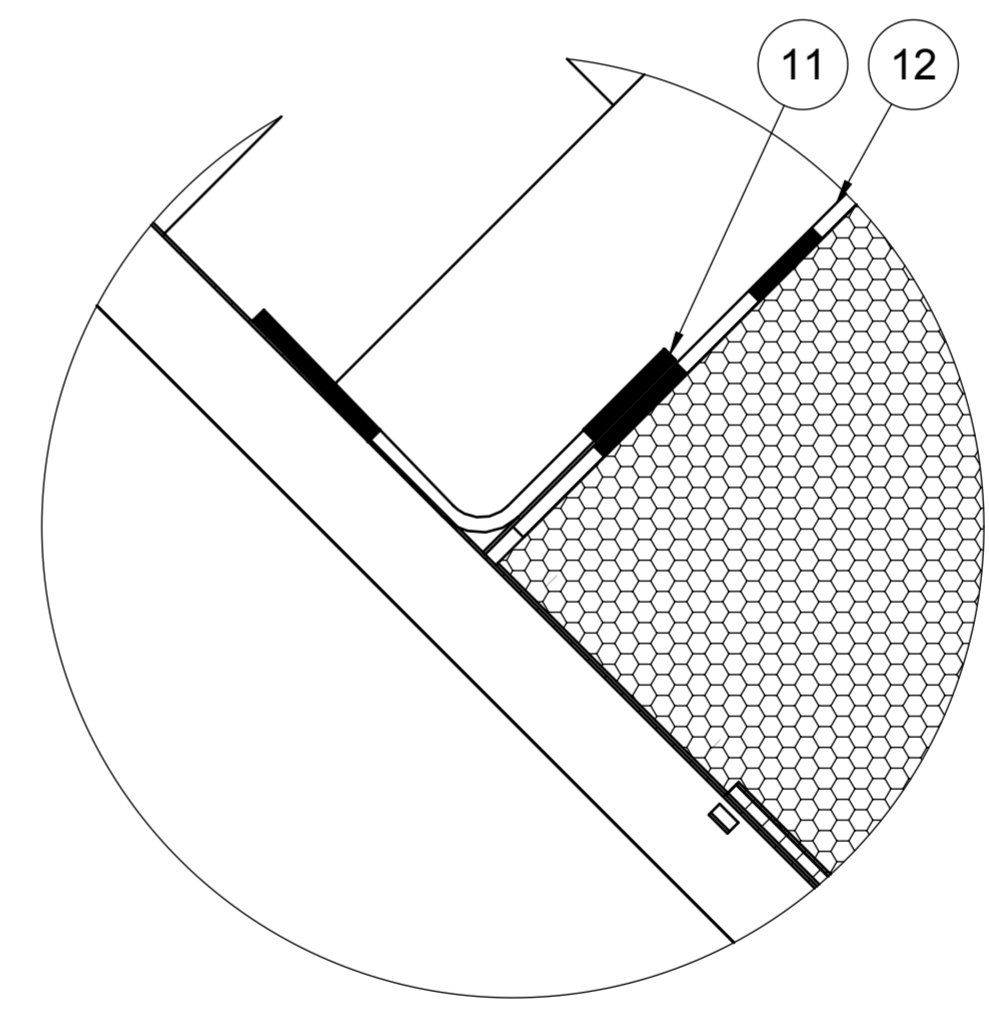


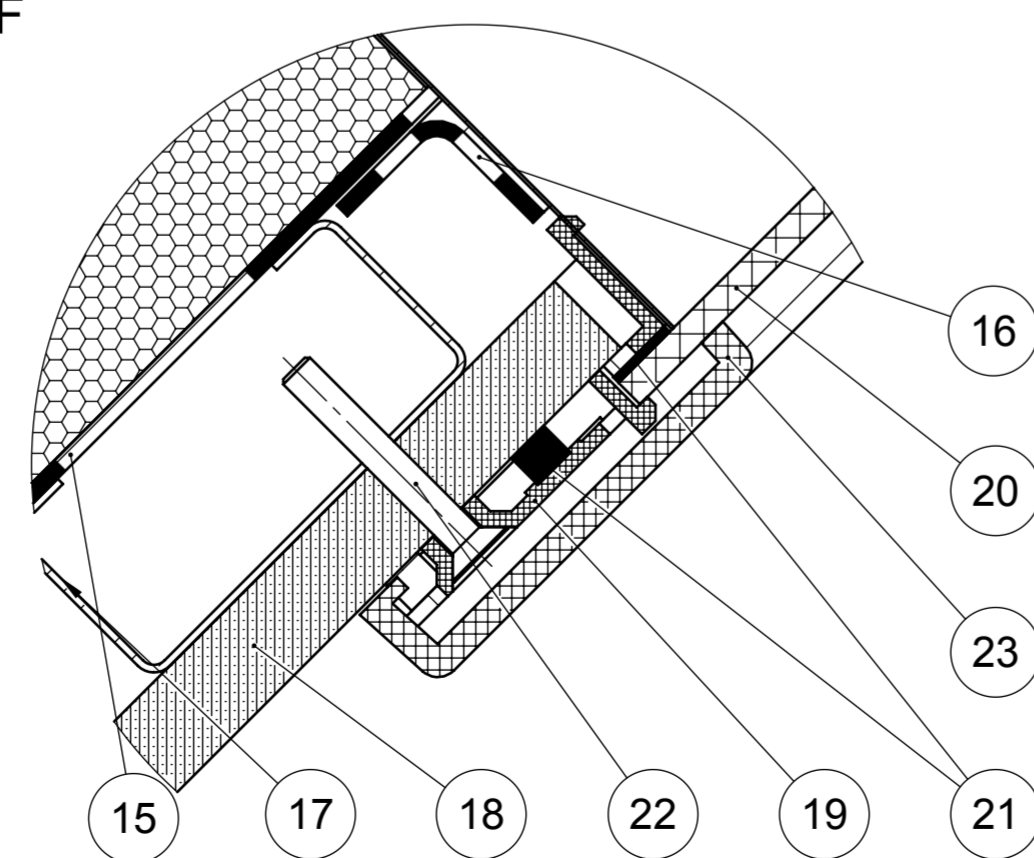
DETAIL D  
DOME FIXATION



DETAIL E  
CONNECTION OF SAFETY WATERPROOFING



DETAIL F  
DIFFUSER



LEGEND:

POS.	NAME
1	DOME
2	BRUSHED NYLON GASKET
3	FLASHING PLATE FOR PITCHED ROOF
4	SCREW
5	ELASTIC WASHER
6	ROOFING
7	CAULKING PROFILE FOR FLASHING PLATE
8	SUPPORT BATTEN
9	BATTEN
10	COUNTER BATTEN
11	SYSTEM TAPE e.g. JUTA
12	SAFETY WATERPROOFING e.g. JUTA
13	SEAM FOIL
14	INSULATION
15	VAPOUR BARRIER e.g. JUTA
16	SYSTEM TYPE e.g. JUTA
17	PROFILE FOR PLASTERBOARD
18	PLASTERBOARD
19	DIFFUSER HOLDER
20	DIFFUSER
21	SEALING
22	SCREW
23	FRAME
24	ISOLATION ELEMENT BLUE PERFORMANCE

MATERIAL LEGEND:

	INSULATION
	PLASTER
	PLASTIC
	CONCRETE
	WOOD
	EXTR. POLYSTYREN

EXAMPLE FITTING OF LIGHTWAY SILVER WITH ISOLATION ELEMENT BLUEM PERFORMANCE IN PITCHED ROOF WITH INSULATION AND ATTIC



NO: SBDBP-0010-EN  
VERSION: 1/2011