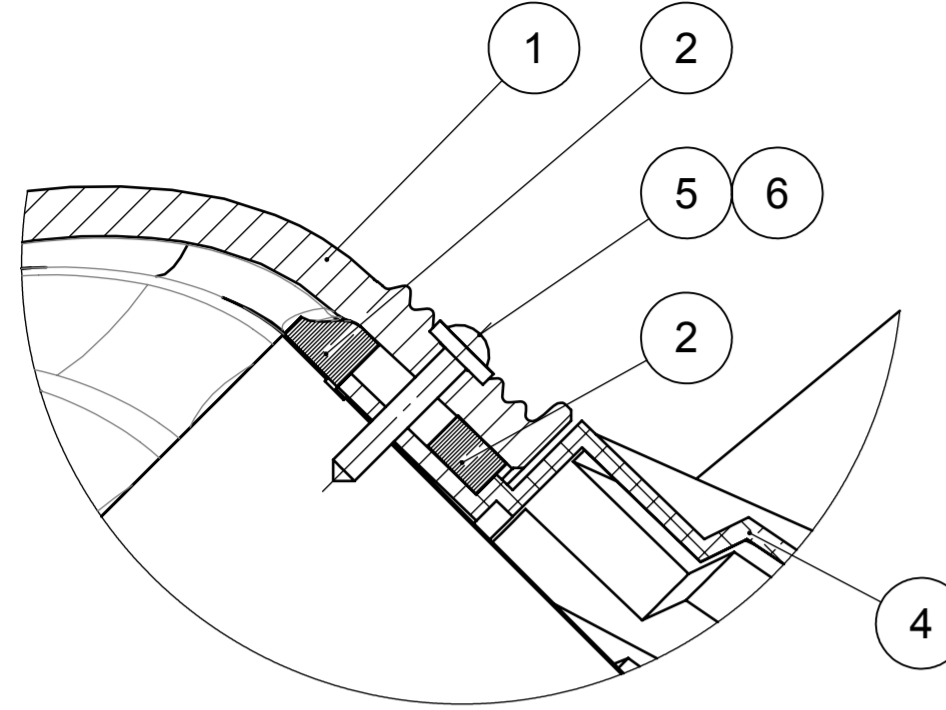
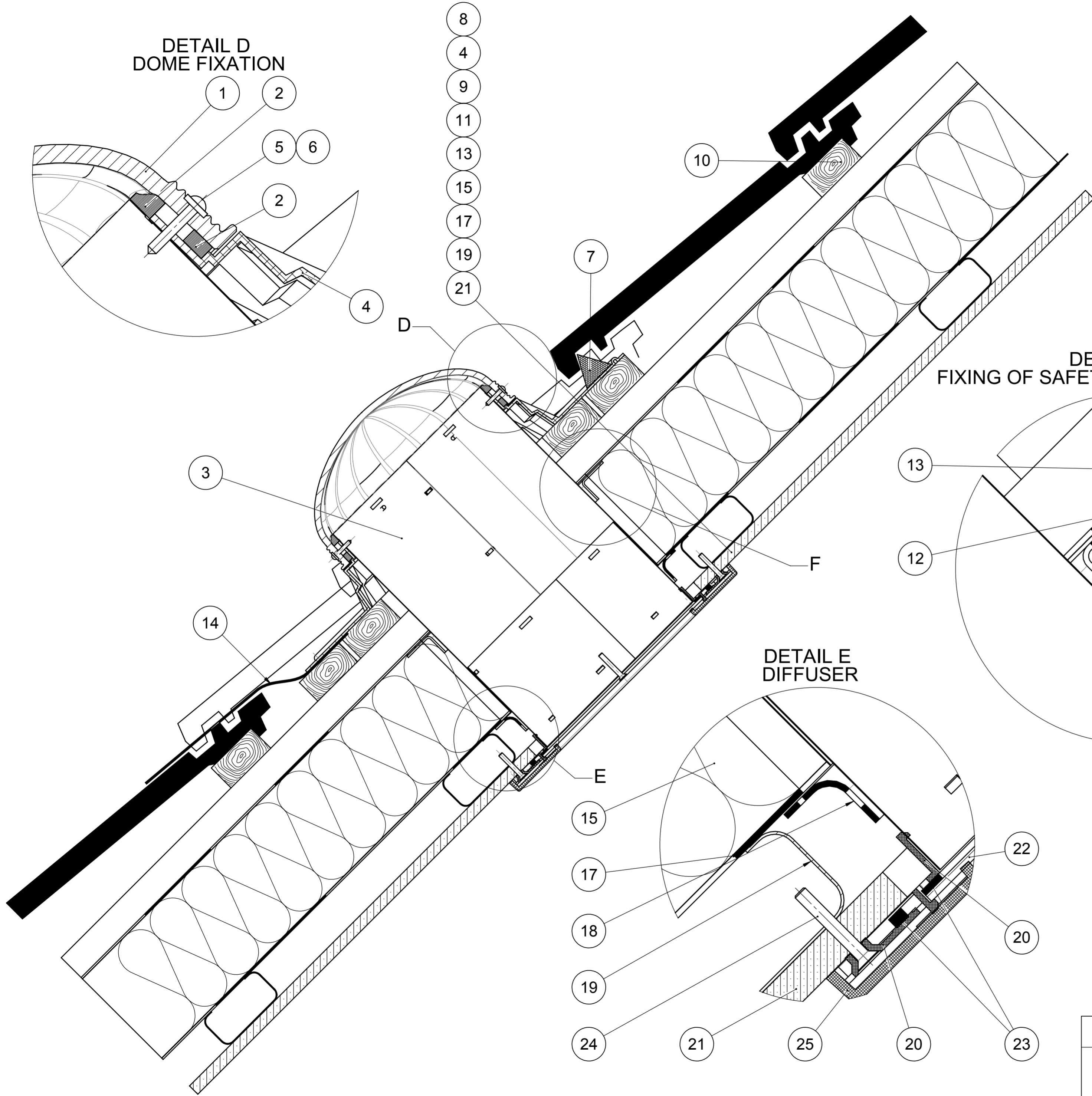


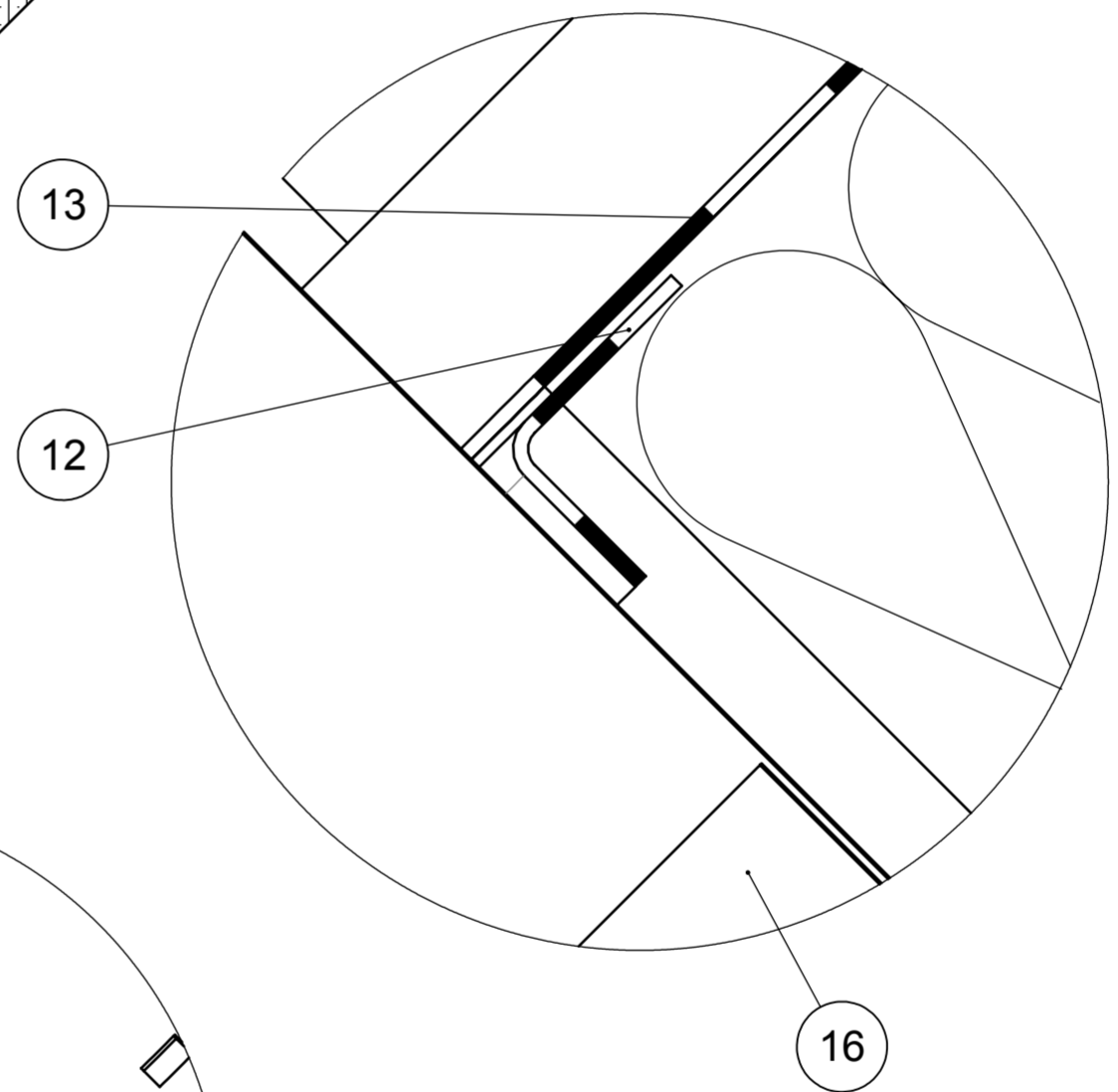
DETAIL D  
DOME FIXATION



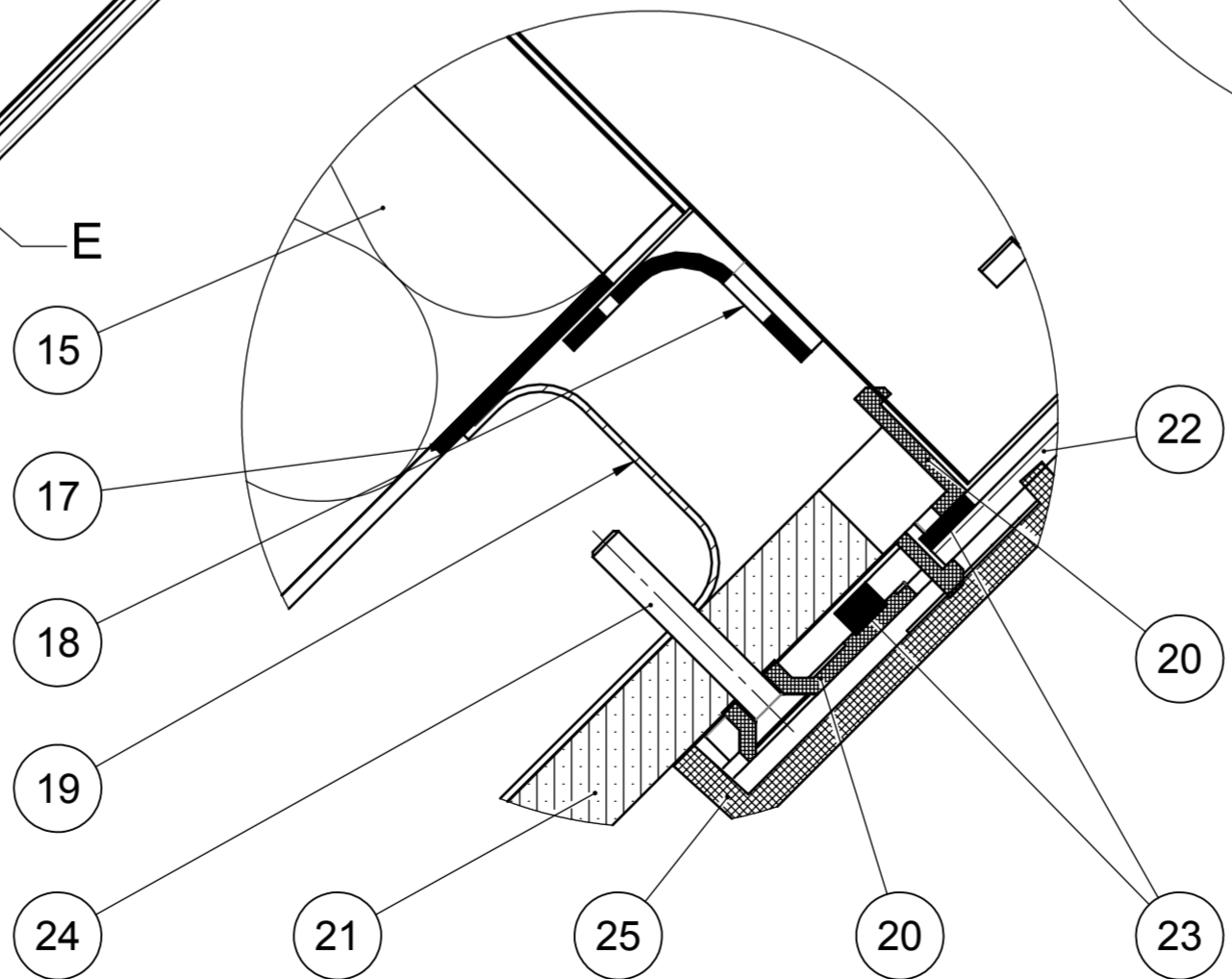
- 8
- 4
- 9
- 11
- 13
- 15
- 17
- 19
- 21



DETAIL F  
FIXING OF SAFETY WATERPROOFING



DETAIL E  
DIFFUSER



LEGEND:	
POS.	NAME
1	DOME
2	BUSHED NYLON GASKET
3	TUBE
4	FLASHING PLATE FOR PITCHED ROOF
5	SCREW
6	ELASTIC WASHER
7	CAULKING PROFILE FOR FLASHING PLATE
8	ROOFING
9	SUPPORT BATTEN
10	BATTEN
11	COUNTER BATTEN
12	SYSTEM TAPE E.G. JUTA
13	SAFETY WATERPROOFING E.G. JUTA
14	SEAM FOIL
15	INSULATION
16	TUBE INTO DIFFUSER HOLDER
17	VAPOUR BARRIER E.G. JUTA
18	SYSTEM TAPE E.G. JUTA
19	PROFILE FOR PLASTERBOARD
20	DIFFUSER HOLDER
21	PLASTERBOARD
22	DIFFUSER
23	SEALING
24	SCREW
25	FRAME

MATERIAL LEGEND:

	INSULATION
	PLASTER
	PLASTIC
	CONCRETE
	WOOD
	EXTR. POLYSTYRENE

EXAMPLE FITTING OF LIGHTWAY CRYSTAL SYSTEM IN PITCHED ROOF WITH INSULATION AND ATTIC

crystal tubular skylights

NO: CBD-0009-EN  
VERSION: 2/2011