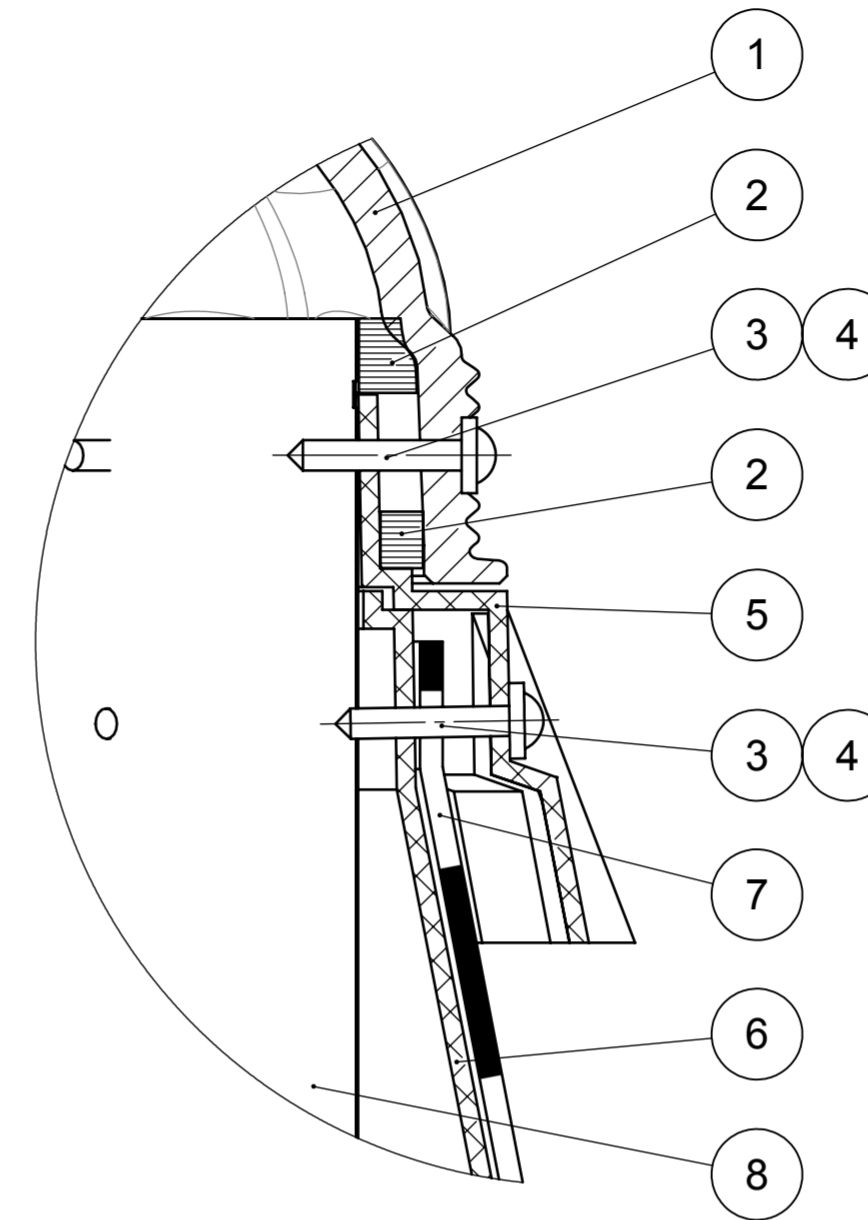
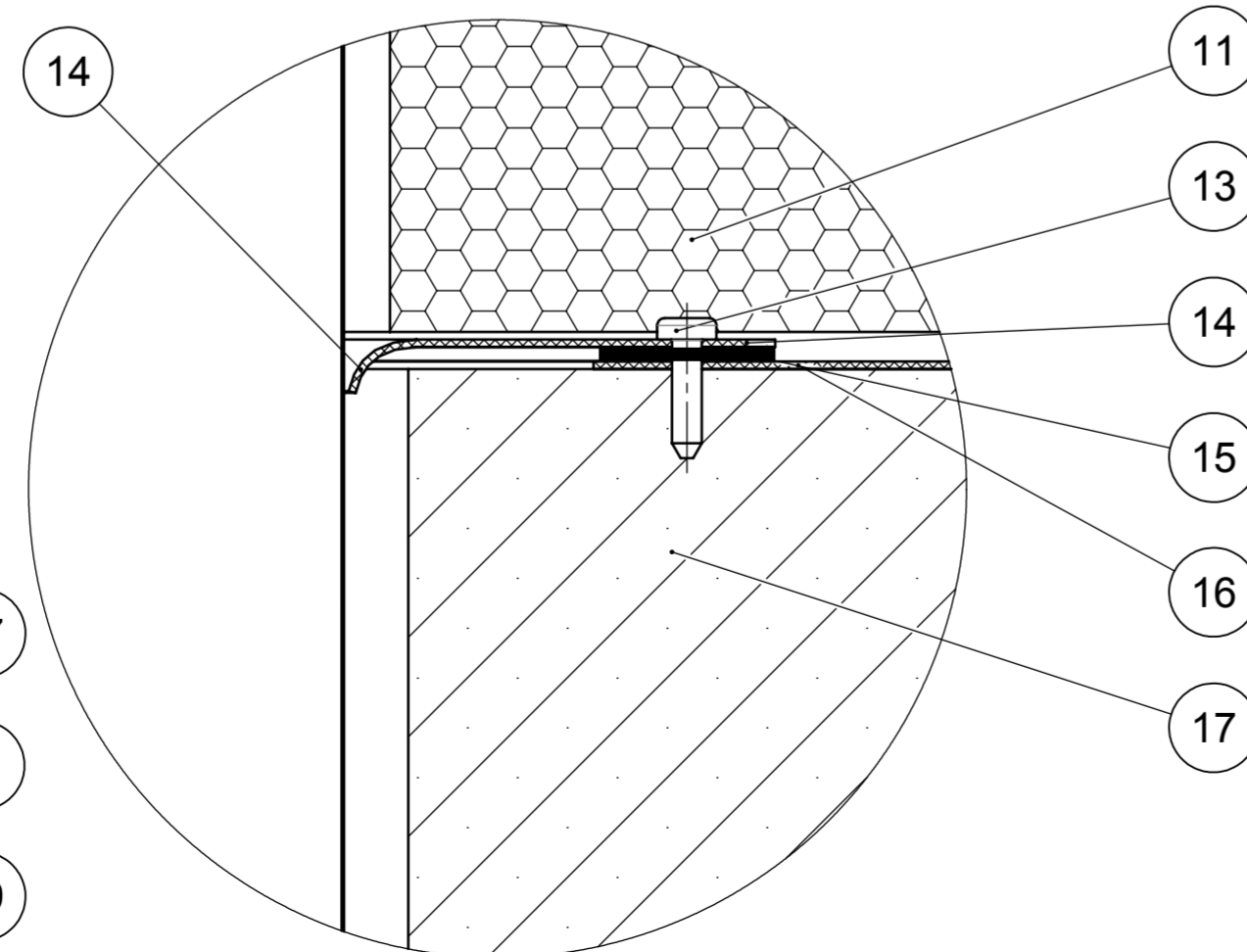


DETAIL A
DOME FIXATION

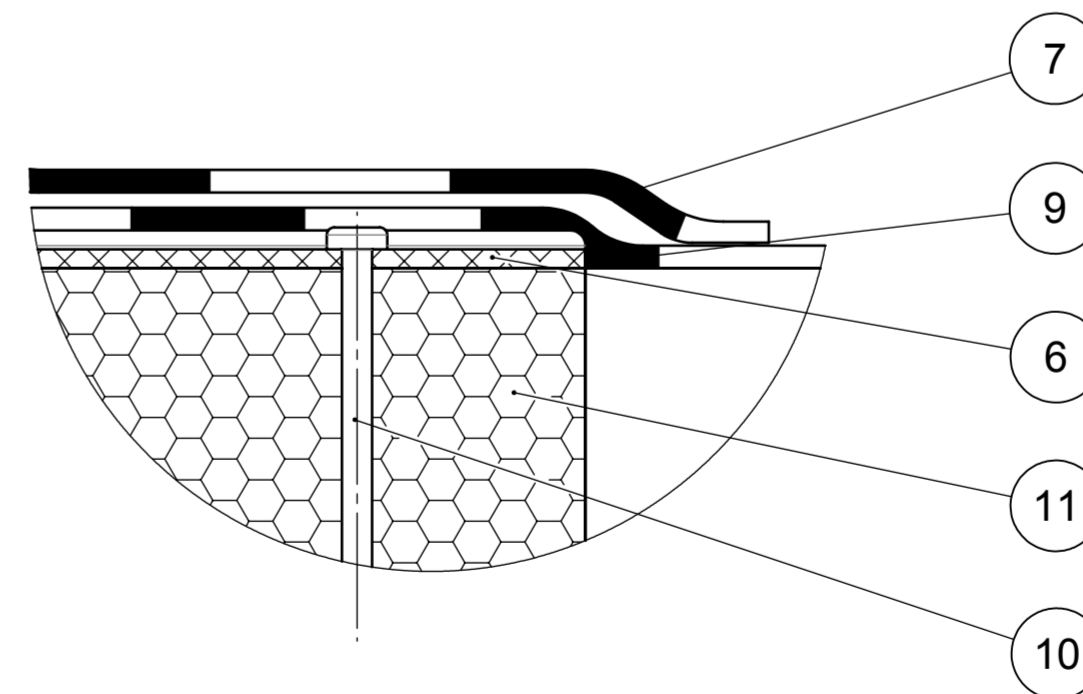


LEGEND:	
POS.	NAME
1	DOME
2	BRUSHED NYLON GASKET
3	SCREW
4	ELASTIC WASHER
5	COLLAR
6	FLASHING PLATE FOR FLAT ROOF
7	WATERPROOFING OF FLASHING PLATE
8	TUBE
9	WATERPROOFING OF ROOF
10	SYSTEM FASTENER
11	EXTR. POLYSTYREN
12	INSULATION
13	SYSTEM FASTENER
14	ELASTIC VAPOUR BARRIER LIGHTWAY
15	BITUMEN SEALING
16	VAPOUR BARRIER E.G. JUTA
17	CEILING STRUCTURE
18	TUBE INTO DIFFUSER HOLDER
19	PLASTER
20	DIFFUSER HOLDER
21	SCREW
22	SEALING
23	DIFFUSER
24	FRAME

DETAIL C
CONNECTION OF VAPOUR BARRIER

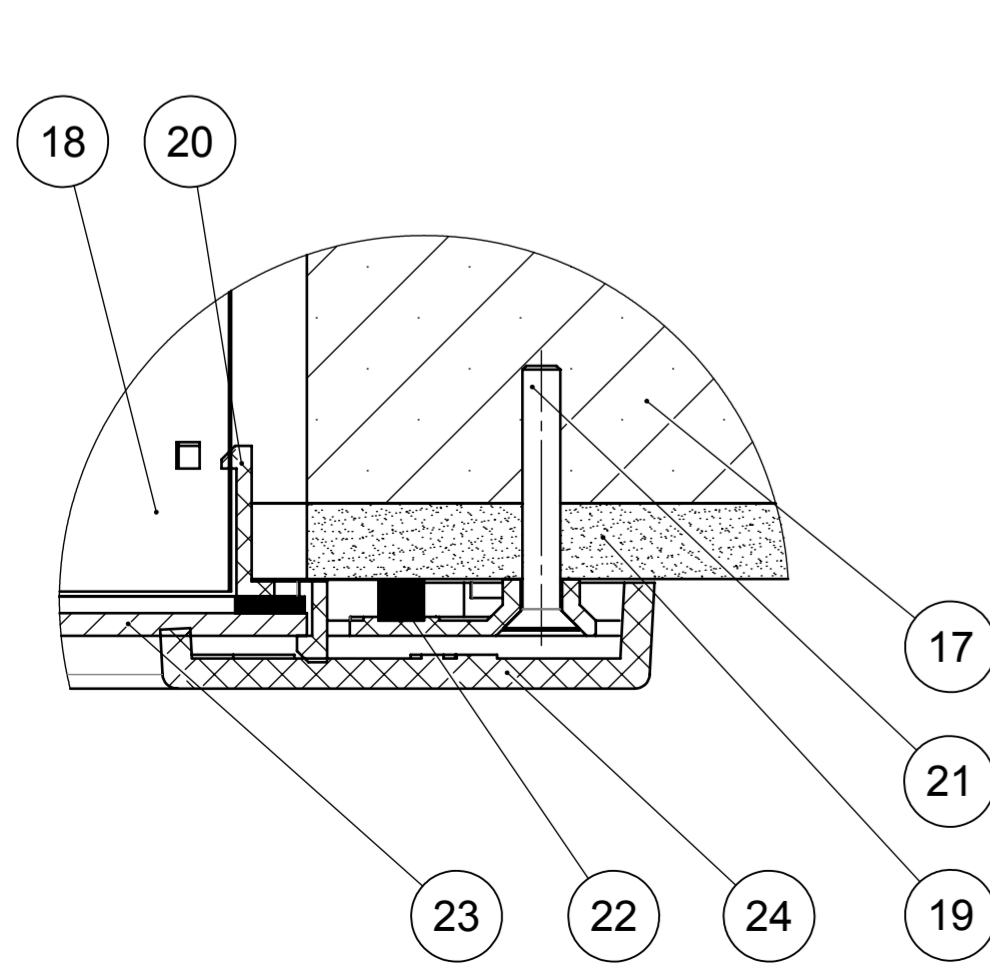


DETAIL B
CONNECTION OF WATERPROOFING



MATERIAL LEGEND:	
	INSULATION
	PLASTER
	PLASTIC
	CONCRETE
	WOOD
	EXTR. POLYSTYREN

DETAIL D
DIFFUSER



EXAMPLE FITTING OF LIGHTWAY CRYSTAL SYSTEM IN FLAT ROOF WITH ONE ROOF DECK



NO: CBD-0002-EN
VERSION: 2/2011