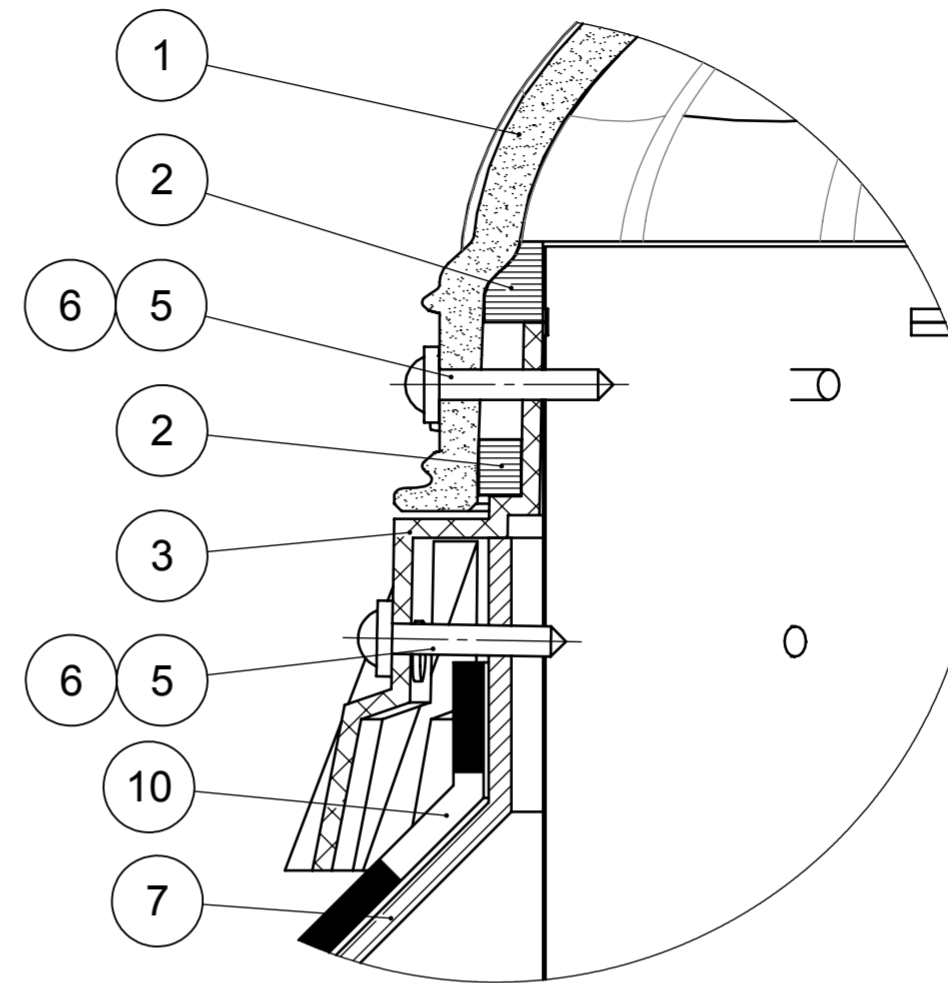
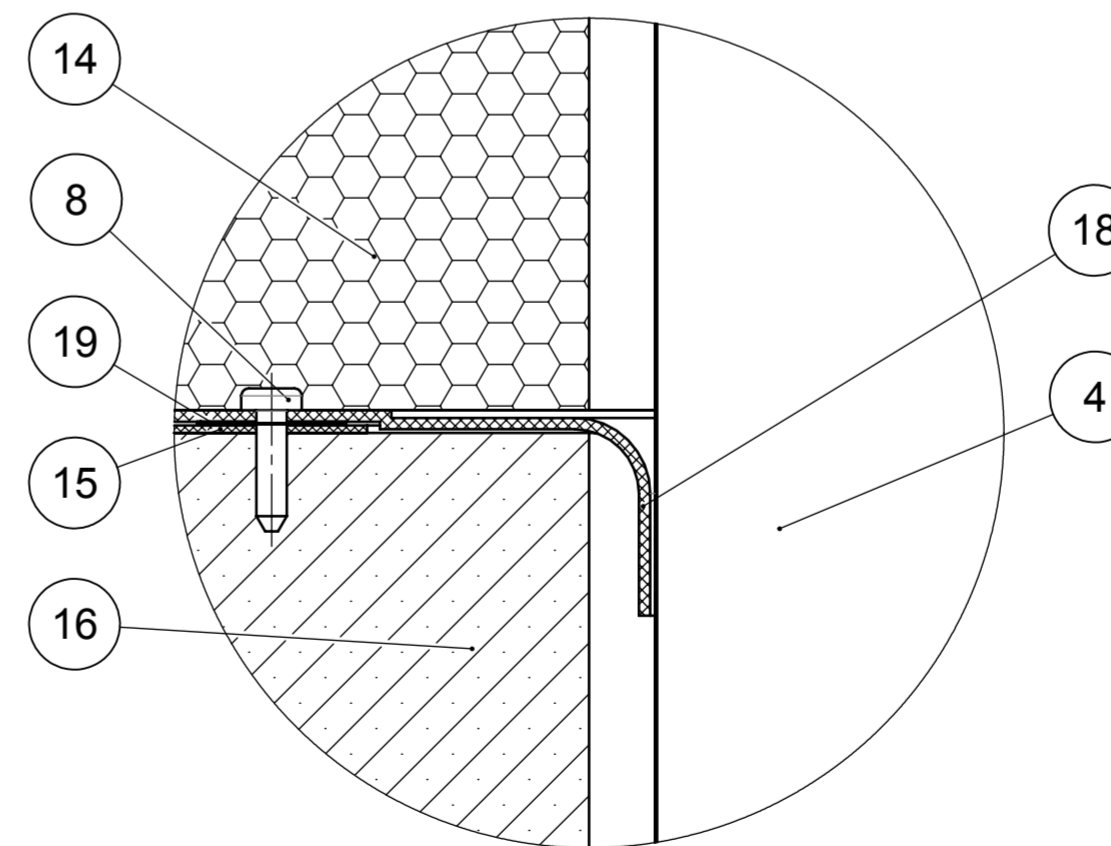


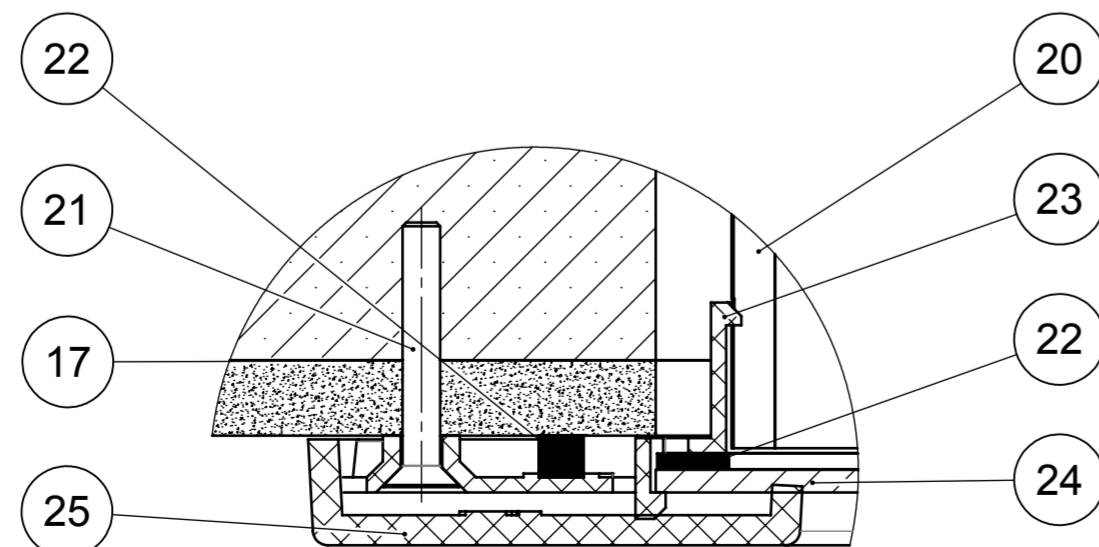
DETAIL A  
DOME FIXATION



DETAIL B  
ELASTIC VAPOUR BARRIER LIGHTWAY



DETAIL D  
DIFFUSER



LEGEND:	
POS.	NAME
1	DOMES
2	BRUSHED NYLON GASKET
3	COLLAR
4	TUBE
5	SCREW
6	ELASTIC WASHER
7	INSULATED FLASHING PLATE
8	SYSTEM FASTENER
9	SYSTEM FASTENER
10	WATERPROOFING OF FLASHING PLATE
11	GRAVEL
12	PROTECTION FABRIC
13	WATERPROOFING OF ROOF
14	EXTRUDED POLYSTYREN
15	VAPOUR BARRIER
16	CEILING STRUCTURE
17	PLASTER
18	ELASTIC VAPOUR BARRIER LIGHTWAY
19	BITUMEN SEALING
20	TUBE INTO DIFFUSER HOLDER
21	SCREW
22	SEALING
23	DIFFUSER HOLDER
24	DIFFUSER
25	FRAME

MATERIAL LEGEND:

	INSULATION
	PLASTER
	PLASTIC
	CONCRETE
	EXTR. POLYSTYREN
	GRAVEL

EXAMPLE OF FIXING OF LIGHTWAY CRYSTAL WITH INSULATED FLASHING PLATE SYSTEM IN FLAT ROOF WITH REVERSE ORDER LAYER

**lightway**<sup>®</sup>  
crystal tubular skylights

NO:  
CBD-0005-EN

VERSION:  
2/2011