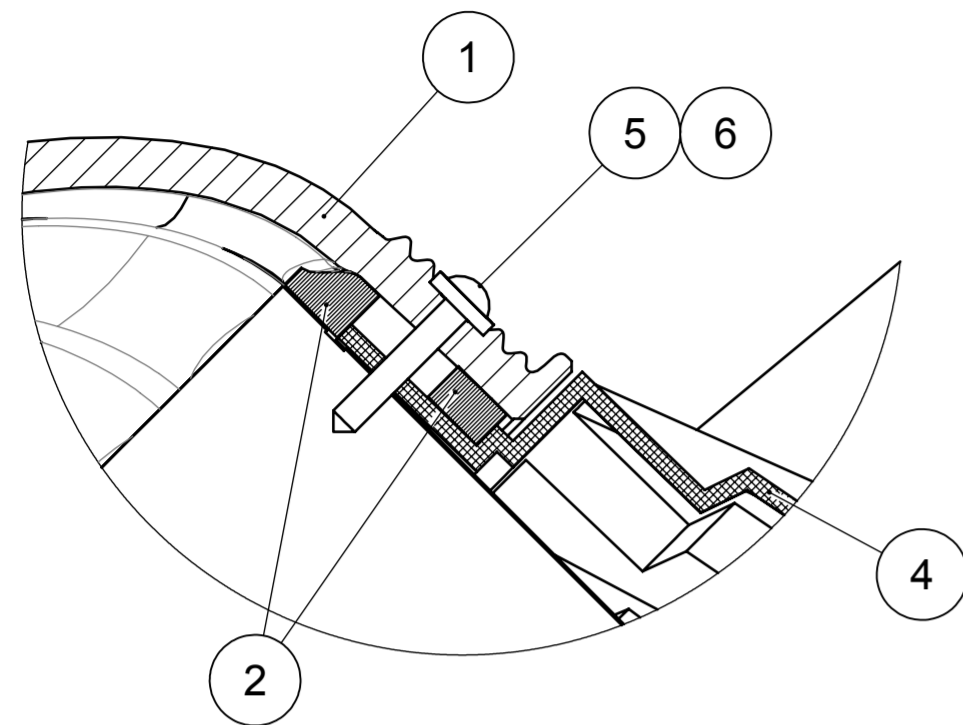
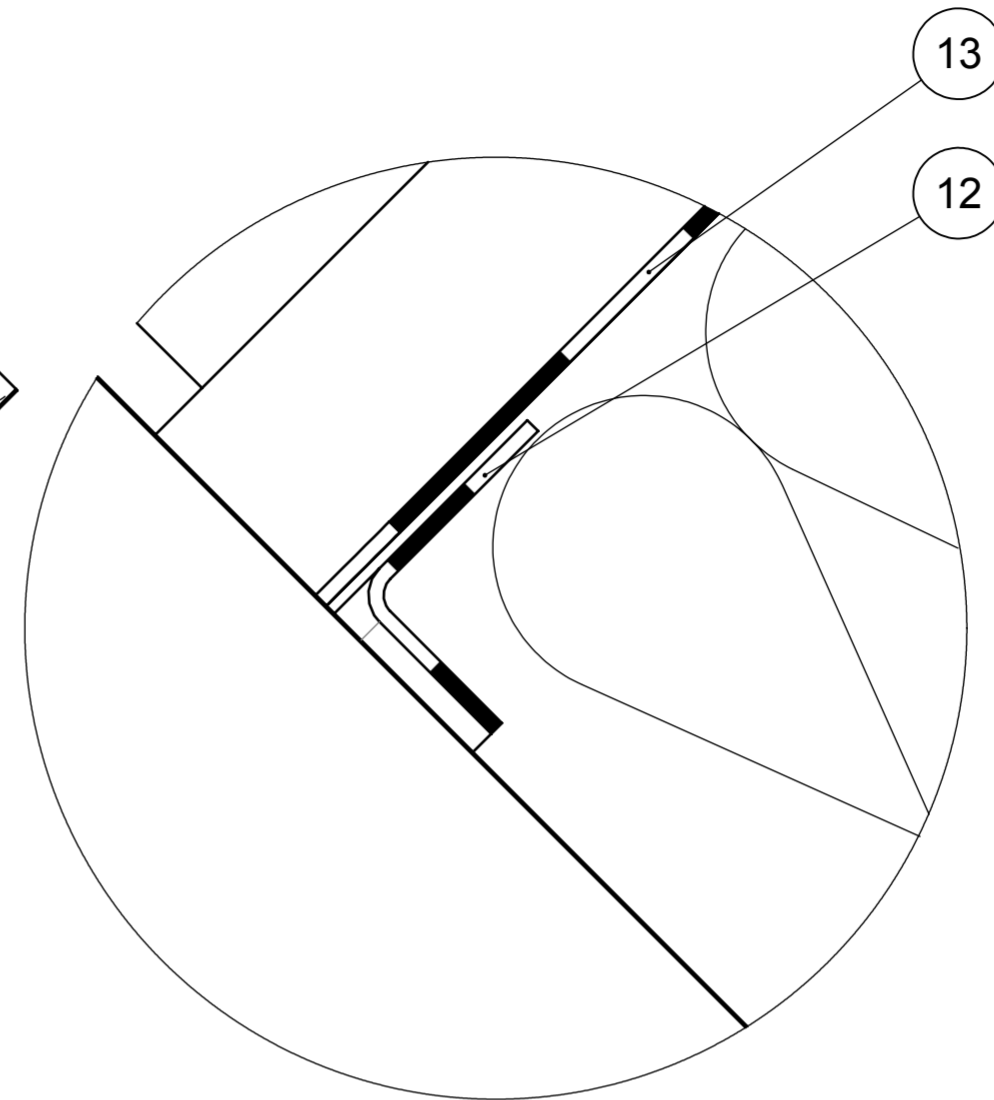


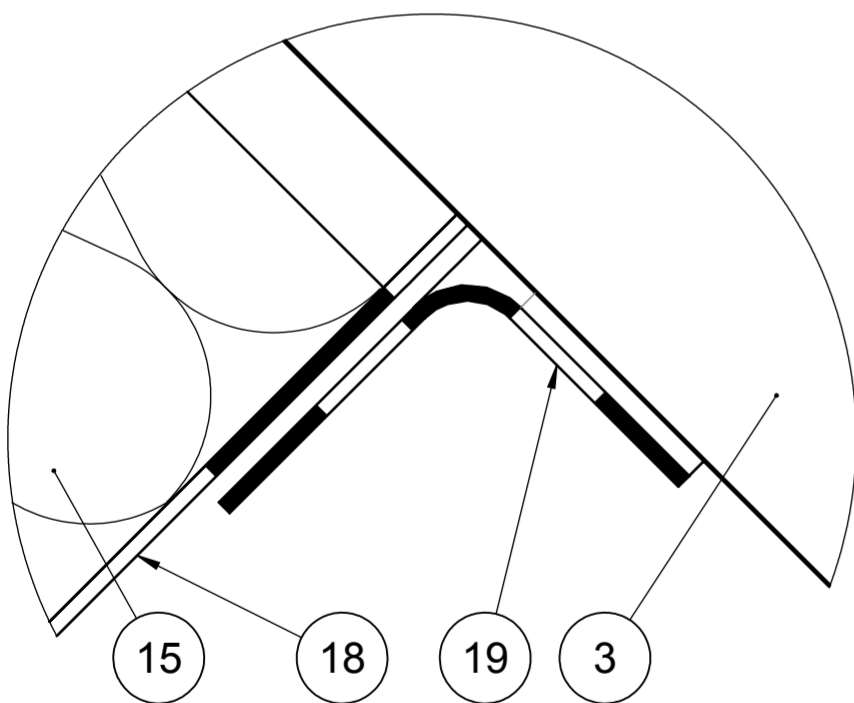
DETAIL D
DOME FIXATION



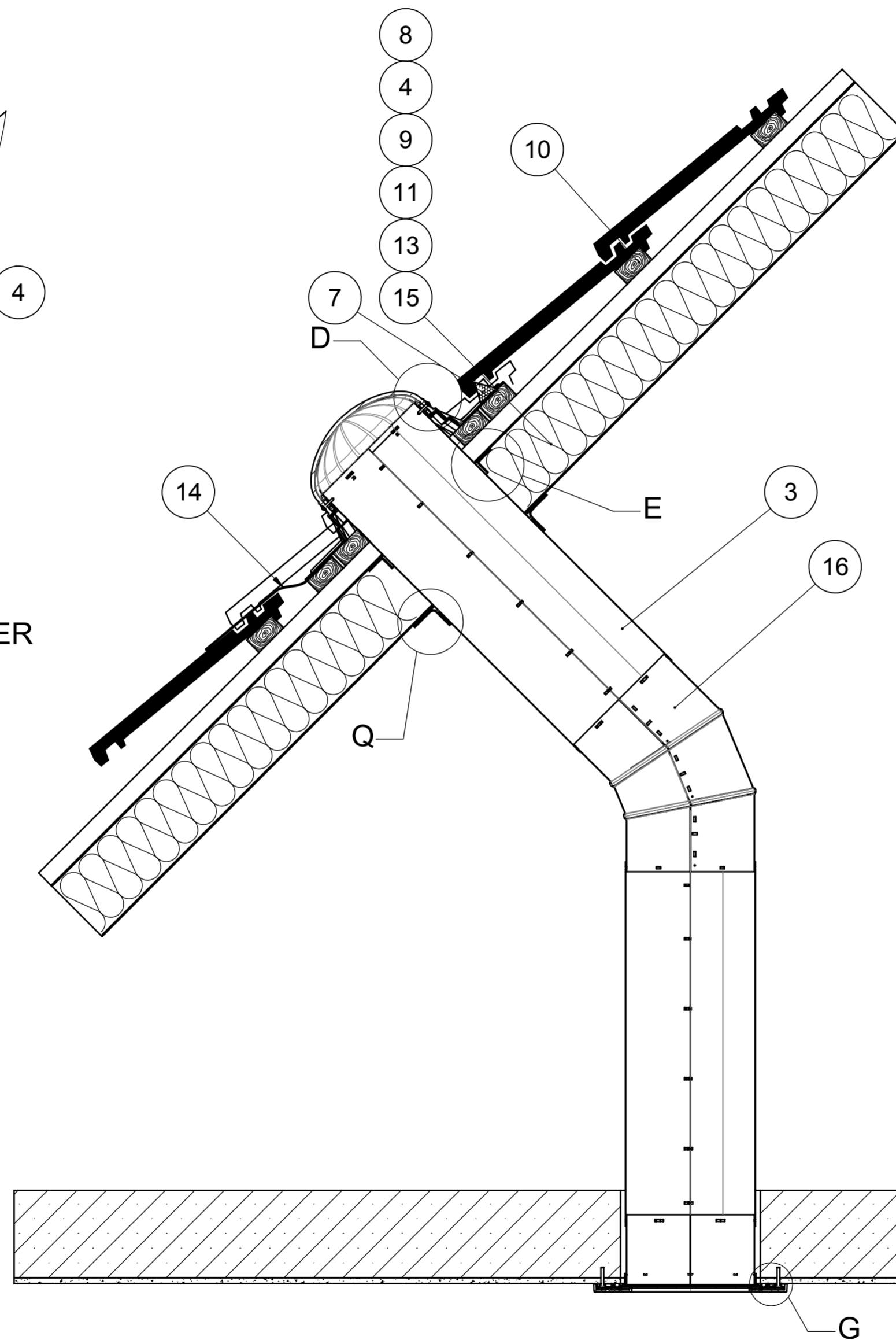
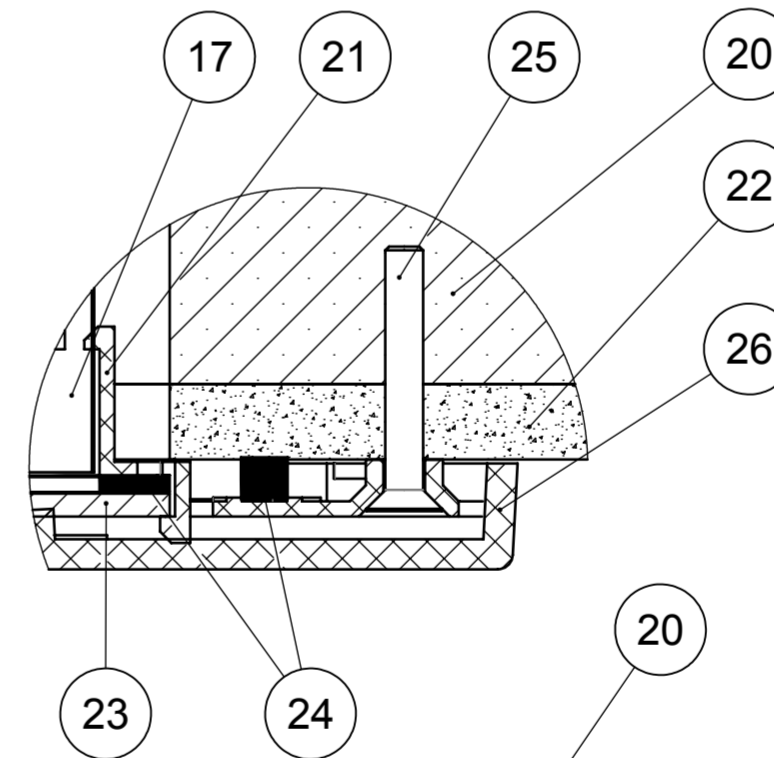
DETAIL E
FIXING OF SAFETY WATERPROOFING



DETAIL Q
CONNECTION OF VAPOUR BARRIER

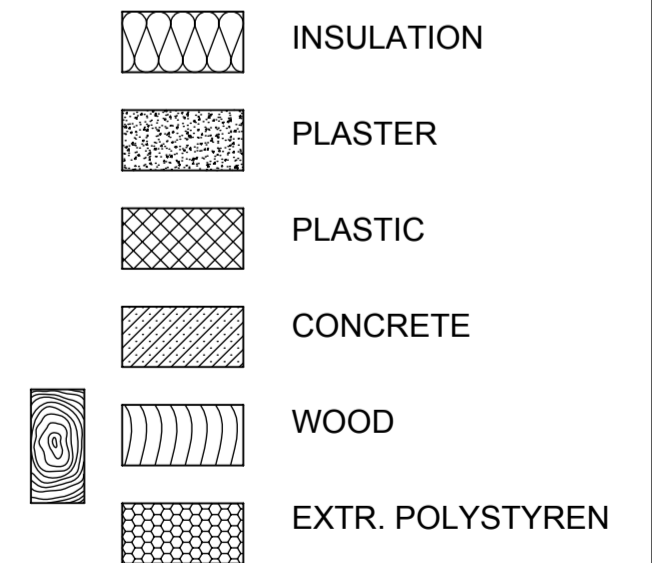


DETAIL G
DIFFUSER



LEGEND:	
POS.	NAME
1	DOME
2	BUSHED NYLON GASKET
3	TUBE
4	FLASHING PLATE FOR PITCHED ROOF
5	SCREW
6	ELASTIC WASHER
7	CAULKING PROFILE FOR FLASHING PLATE
8	ROOFING
9	SUPPORT BATTEN
10	BATTEN
11	COUNTER BATTEN
12	SYSTEM TAPE E.G. JUTA
13	SAFETY WATERPROOFING E.G. JUTA
14	SEAM FOIL
15	INSULATION
16	ADJUSTABLE ELBOW
17	TUBE INTO DIFFUSER HOLDER
18	VAPOUR BARRIER E.G. JUTA
19	SYSTEM TAPE E.G. JUTA
20	CEILING STRUCTURE
21	DIFFUSER HOLDER
22	PLASTER
23	DIFFUSER
24	SEALING
25	SCREW
26	FRAME

LEGEND OF MATERIALS:



EXAMPLE FITTING OF LIGHTWAY CRYSTAL SYSTEM IN PITCHED ROOF
WITH INSULATION AND PASSAGE THROUGH LOFT SPACE

lightway[®]
crystal tubular skylights

NO:
CBD-0007-EN

VERSION:
1/2011